

iQ700, Built-in compact oven with microwave function, 60 x 45 cm, Stainless steel CM678G4S1



Shorten your cooking time thanks to varioSpeed, fast preheat and activeClean®.

- ✓ varioSpeed – Prepare excellent dishes up to 50% faster.
- ✓ activeClean® – The automatic, self-cleaning oven system.
- ✓ TFT touchdisplay Plus – Touch navigation for simple and intuitive operation.
- ✓ roastingSensor Plus – Three-point thermometer for excellent roasts every time.
- ✓ cookControl Plus – Build success into your baking.

Features

Technical Data

Additional functions: Microwave combination oven
 Control panel: Electronic
 Dimensions: 455 x 594 x 548 mm
 Cavity dimensions: 237.0 x 480 x 392.0 mm
 Length electrical supply cord: 150.0 cm
 Weight: 37.9 kg
 Gross weight: 41.0 kg
 EAN code: 4242003658383
 Maximum micro-wave power: 900 W
 Connection Rating: 3600 W
 Fuse protection: 16 A
 Nominal power: 220-240 V
 Frequency: 60; 50 Hz
 Plug type: Gardy plug w/ earthing
 Included accessories: 1 x enamel baking tray, 1 x combination grid, 1 x universal pan



Included accessories

1 x enamel baking tray, 1 x combination grid, 1 x universal pan

Optional accessories

HZ327000 Baking stone, HZ531010 Baking tray, non-stick ceramic coated, HZ532010 Universal pan, non-stick ceramic coated, HZ617000 Pizza pan, enamelled, HZ625071 Grill tray, enamelled, HZ631070 Baking tray, enamelled, HZ632070 Multipurpose pan, enamelled, HZ634080 Baking and roasting grid (microwave), HZ636000 Glass pan, HZ664000 Baking and roasting grid (steam), HZ66X600 Decor list, HZ66X650 Cover Strip, HZ915003 Glass roasting dish, 5,4 L, HZG0AS00 Connecting cable 3m

iQ700, Built-in compact oven with microwave function, 60 x 45 cm, Stainless steel CM678G4S1

Features

Features

- Compact oven with microwave with 15 PC heating methods: 4D hot air, hotairGentle, conventional top & bottom heating, Conventional heat Gentle, hot air grilling, full width grill, half width grill, Pizza setting, coolStart, bottom heat, intensive conventional heat, low temperature cooking, keep warm, dehydrate, plate warming
- Additional heating methods with microwave: Microwave, Combi microwave variable
- Intelligent microwave inverter technology: For optimised results maximum output power will be regulated to 600 W when used in longer operation for gentler cooking.
- Max. Power: 900 W; 5 Microwave power settings (90 W,180 W,360 W,600 W,900 W)
- Temperature range 30 °C - 275 °C
- Cavity volume: 45 litres

Level independent telescopic rails

- 3 shelf positions
- 1 level telescopic shelf, pyrolytic proof

Design

- Stainless steel control dial
- Cavity inner surface: enamel anthracite

Cleaning

- activeClean
- humidClean

Programmes/functions

- 5.7" TFT touchDisplay Plus
- Electronic oven clock timer
- Digital temperature display with proposal
- Actual temperature display Heating-up indicator Temperature probe
- Drop down oven door, softClose, softOpen
- Bar handle
- cookControl Plus
- bakingSensor
- roastingSensor Plus
- Fast preheat
- coolStart
- LED light, Light on/off when door opened/closed
- Integral cooling fan

Accessories

- 1 x universal pan, 1 x enamel baking tray, 1 x combination grid

Features

- Maximum door temperature 30 °C
- Electronic door lock
- Control panel lock Automatic safety switch off Residual heat indicator Start button Door contact switch

Technical information

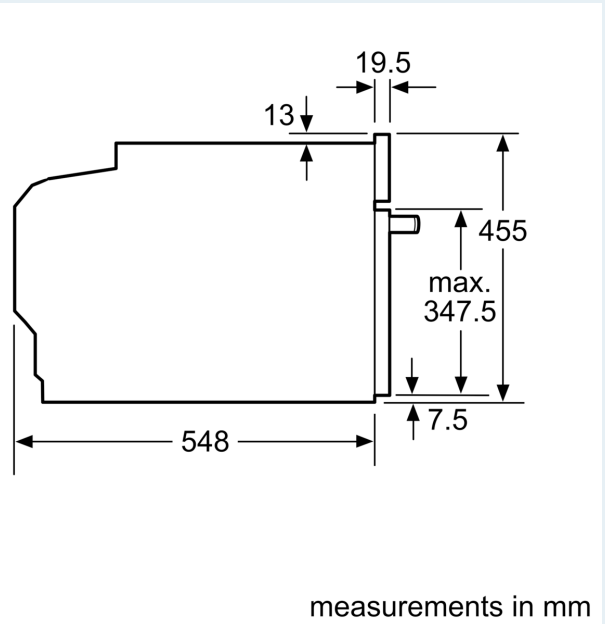
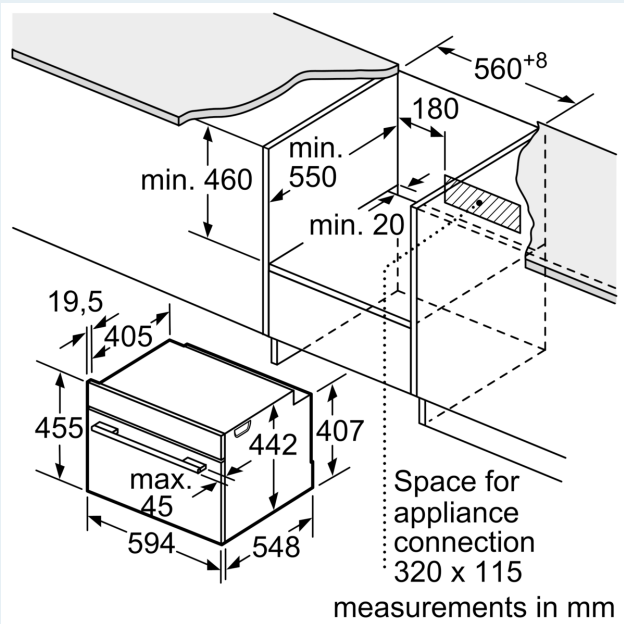
- Power cord length 150 cm Cable length
- Nominal voltage: 220 - 240 V
- Total connected load electric: 3.6 KW

Performance/technical information

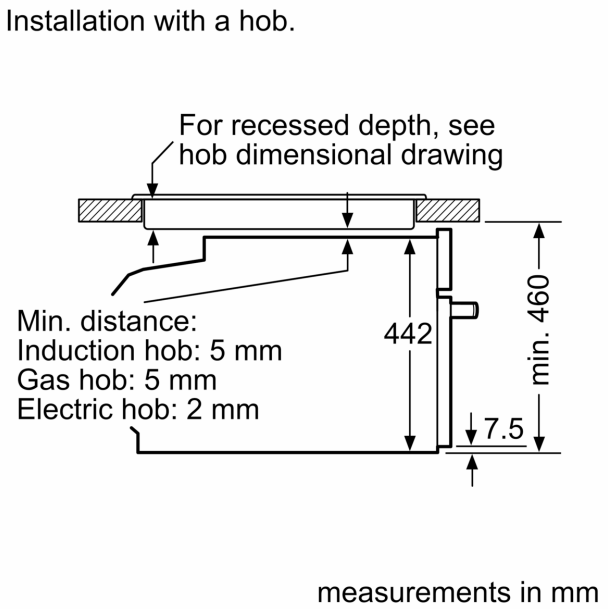
- Appliance dimension (hxwxd): 455 mm x 594 mm x 548 mm
- Niche dimension (hxwxd): 450 mm - 455 mm x 560 mm - 568 mm x 550 mm
- Please refer to the dimensions provided in the installation manual
- We recommend you to choose complementary products within IQ700, in order to assure an optimal design combination of your Built-In appliances.

iQ700, Built-in compact oven with microwave function, 60 x 45 cm, Stainless steel CM678G4S1

Dimensioned drawings



Installation with a hob.



If the compact appliance will be installed underneath a hob, the following worktop thicknesses (including substructure if necessary) must be taken into account.

Hob type	min. worktop thickness	
	fitted	flush
Induction hob	42 mm	43 mm
Full surface Induction hob	52 mm	53 mm
Gas hob	32 mm	43 mm
Electric hob	32 mm	35 mm

Dimensioned drawings

