

iQ700, Built-in compact oven with microwave function, 60 x 45 cm, Stainless steel CM656GBS1B



- ✓ varioSpeed – Prepare excellent dishes up to 50% faster.
- ✓ fastPreheat – Heat the oven quickly. coolStart – Eliminate preheating for frozen foods.
- ✓ Far less oven cleaning – ecoClean Plus.
- ✓ cookControl Plus – Build success into your baking.
- ✓ User-friendly menu navigation with good display features - TFT-Touchdisplay.

Features

Technical Data

Additional functions: Microwave combination oven
 Control panel: Electronic
 Dimensions: 455 x 594 x 548 mm
 Cavity dimensions: 237.0 x 480 x 392.0 mm
 Length electrical supply cord: 150.0 cm
 Weight: 35.7 kg
 Gross weight: 38.0 kg
 EAN code: 4242003674130
 Maximum micro-wave power: 900 W
 Connection Rating: 3600 W
 Fuse protection: 16 A
 Nominal power: 220-240 V
 Frequency: 60; 50 Hz
 Plug type: no plug (electrical connection by electrician)
 Included accessories: 1 x combination grid, 1 x universal pan



Included accessories

1 x combination grid, 1 x universal pan

Optional accessories

HZ327000 Baking stone, HZ531010 Baking tray, non-stick ceramic coated, HZ532010 Universal pan, non-stick ceramic coated, HZ617000 Pizza pan, enamelled, HZ625071 Grill tray, enamelled, HZ631070 Baking tray, enamelled, HZ632070 Multipurpose pan, enamelled, HZ634080 Baking and roasting grid (microwave), HZ636000 Glass pan, HZ664000 Baking and roasting grid (steam), HZ66X600 Decor list, HZ66X650 Cover Strip, HZ915003 Glass roasting dish, 5,4 L

iQ700, Built-in compact oven with microwave function, 60 x 45 cm, Stainless steel CM656GBS1B

Features

Design

- Drop down oven door, softClose, softOpen
- Cavity inner surface: enamel anthracite
- EcoClean Direct : ceiling, back panel, side liners
- ecoClean programme
- 3.7" TFT touchDisplay
- Control panel lock
- Automatic safety switch off Residual heat indicator Start button Door contact switch

Features

- Electronic oven clock timer
- LED light, Light on/off when door opened/closed
- Integral cooling fan

Programmes/functions

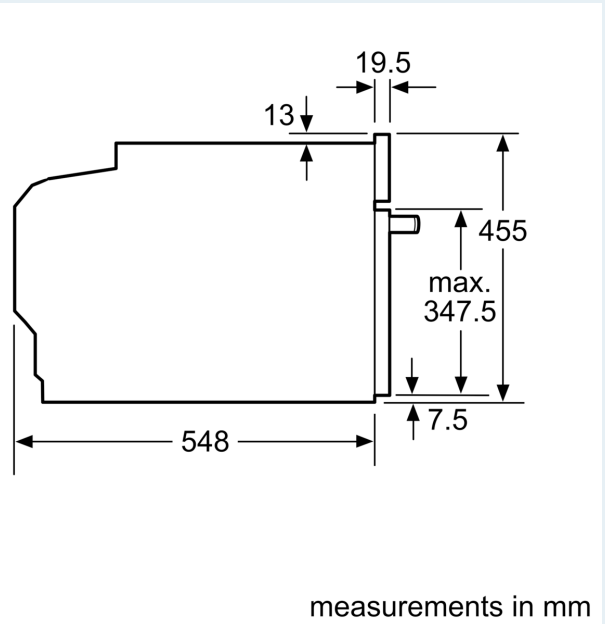
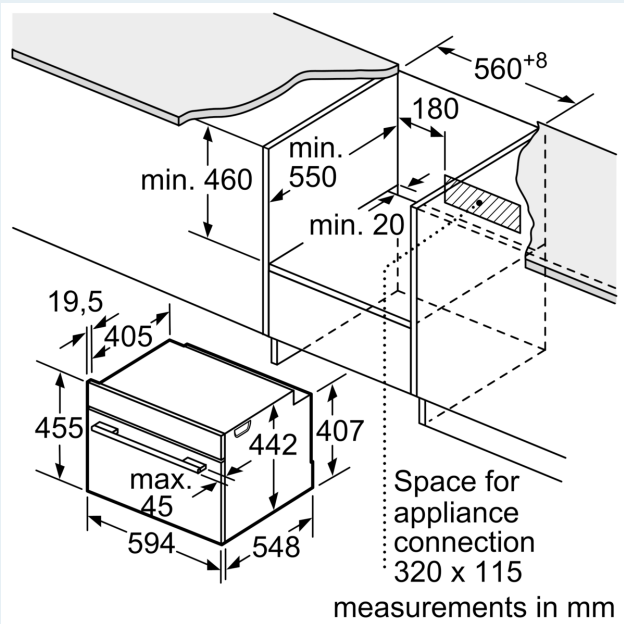
- Compact oven with microwave with 13 main functions heating methods: 4D hot air, hotairGentle, conventional top & bottom heating, Conventional heat Gentle, hot air grilling, full width grill, half width grill, Pizza setting, coolStart, bottom heat, low temperature cooking, keep warm, plate warming
- Additional heating methods with microwave: Microwave, Combi microwave variable
- Fast preheat
- cookControl Plus

Technical information

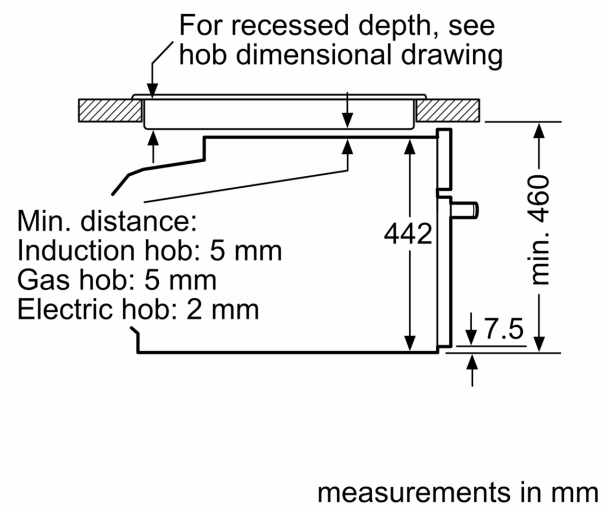
- Cavity volume: 45 litres
- Max. Power: 900 W; 5 Microwave power settings (90 W,180 W,360 W,600 W,900 W)
- Power cord length 150 cm Cable length
- Total connected load electric: 3.6 KW
- Appliance dimension (hxwx): 455 mm x 594 mm x 548 mm
- Niche dimension (hxwx): 450 mm - 455 mm x 560 mm - 568 mm x 550 mm
- Please refer to the dimensions provided in the installation manual
- 1 x universal pan, 1 x combination grid

iQ700, Built-in compact oven with microwave function, 60 x 45 cm, Stainless steel CM656GBS1B

Dimensioned drawings



Installation with a hob.



If the compact appliance will be installed underneath a hob, the following worktop thicknesses (including substructure if necessary) must be taken into account.

Hob type	min. worktop thickness	
	fitted	flush
Induction hob	42 mm	43 mm
Full surface Induction hob	52 mm	53 mm
Gas hob	32 mm	43 mm
Electric hob	32 mm	35 mm

Dimensioned drawings

