

**iQ700, Built-in vacuum drawer, 60 x 14 cm, Black
BV910E1B1**



Included accessories

small, 50 x Vacuuming bag, big, 1 x Adaptor f. vacuuming outside the chamber, 1 x Vacuuming hose, 1 x Adaptor for bottle plugs, 3 x Plugs for vacuuming of bottles

Optional accessories

HEZ32WA00 Wireless food thermometer

The vacuum drawer for sous-vide cooking, aroma preservation and longer storage.

- ✓ Aroma preservation: preserve flavour and freshness with vacuum sealing.
- ✓ push&pull – No-handle drawer that’s easy to open and close.

Features

Technical Data

Built-in / Free-standing: Built-in
 Dimensions: 140 x 595 x 542 mm
 Dimensions of the packed product (HxWxD): ... 230 x 660 x 660 mm
 Min. required niche size for installation (HxWxD): .. 141 x 560 x 550 mm
 EAN code:4242003909638
 Fuse protection:6 A
 Nominal power: 220-240 V
 Frequency:50; 60 Hz
 Plug type: Gardy plug w/ earthing
 Included accessories: 50 x Vacuuming bag, small, 50 x Vacuuming bag, big, 1 x Adaptor f. vacuuming outside the chamber, 1 x Vacuuming hose, 1 x Adaptor for bottle plugs, 3 x Plugs for vacuuming of bottles



iQ700, Built-in vacuum drawer, 60 x 14 cm, Black BV910E1B1

Features

- 3 vacuuming levels for vacuuming outside the chamber, max. 90%

Vacuuming levels:

- 3 vacuuming levels for vacuuming in the chamber, max. 99%

Design

Programmes/functions

- Touch Control illuminated
- Cavity Volume: 8 l
- Handleless push-pull opening mechanism
- Automatic connection recognition for vacuuming outside the chamber
- Drying program for vacuuming pump
- Touch key operation

Accessories

- 1 x Adaptor for bottle plugs, 1 x Adaptor f. vacuuming outside the chamber, 50 x Vacuuming bag, big, 50 x Vacuuming bag, small, 1 x Vacuuming hose, 3 x Plugs for vacuuming of bottles

Features

- Door contact switch

Technical information

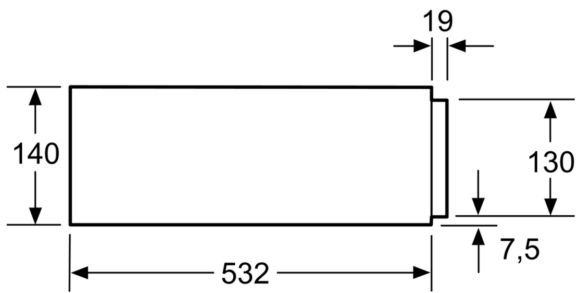
- Power cord length 150 cm Cable length
- Total connected load electric: 0.32 KW
- Nominal voltage: 220 - 240 V

Performance/technical information

- Appliance dimension (hxwxd): 140 mm x 595 mm x 542 mm
- Niche dimension (hxwxd): 141 mm x 560 mm - 568 mm x 550 mm
- Please refer to the dimensions provided in the installation manual

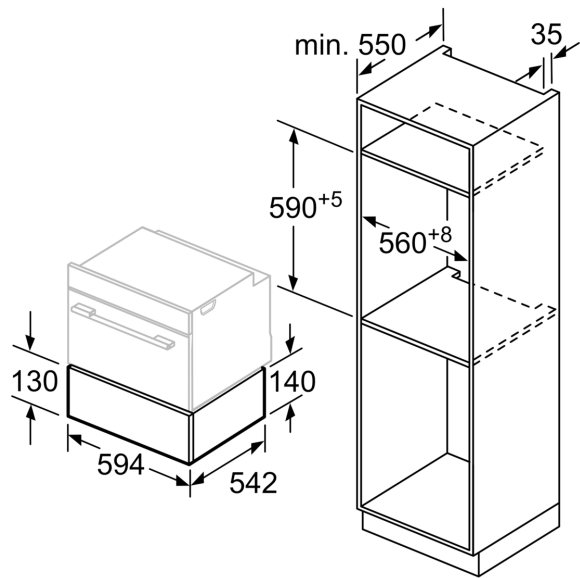
**iQ700, Built-in vacuum drawer, 60
x 14 cm, Black
BV910E1B1**

Dimensioned drawings



Compact ovens with an appliance height of 455 mm can be installed above a vacuum sealing drawer. An intermediate floor is not required.

measurements in mm



measurements in mm