

**iQ700, Built-in vacuum drawer, 60 x 14 cm, Black
BV830ENB1**



Included accessories

small, 50 x Vacuuming bag, big, 1 x Adaptor f. vacuuming outside the chamber, 1 x Vacuuming hose

Optional accessories

HEZ32WA00 Wireless food thermometer

Vacuum drawer: For long-lasting enjoyment.

✓ push&pull – No-handle drawer that’s easy to open and close.

Features

Technical Data
Built-in / Free-standing: Built-in
Dimensions: 140 x 595 x 542 mm
Dimensions of the packed product (HxWxD): ... 230 x 660 x 660 mm
Min. required niche size for installation (HxWxD): .. 141 x 560 x 550 mm
EAN code:4242003788066
Fuse protection:6 A
Nominal power:220-240 V
Frequency:50; 60 Hz
Plug type: Gardy plug w/ earthing
Included accessories: 50 x Vacuuming bag, small, 50 x Vacuuming bag, big, 1 x Adaptor f. vacuuming outside the chamber, 1 x Vacuuming hose



**iQ700, Built-in vacuum drawer, 60
x 14 cm, Black
BV830ENB1**

Features

Design

- Touch Control illuminated
- Touch key operation
- Automatic connection recognition for vacuuming outside the chamber
- Handleless push-pull opening mechanism

Programmes/functions

- 3 vacuuming levels for vacuuming outside the chamber, max. 90%
- 3 vacuuming levels for vacuuming in the chamber, max. 99%
- Drying program for vacuuming pump

Accessories

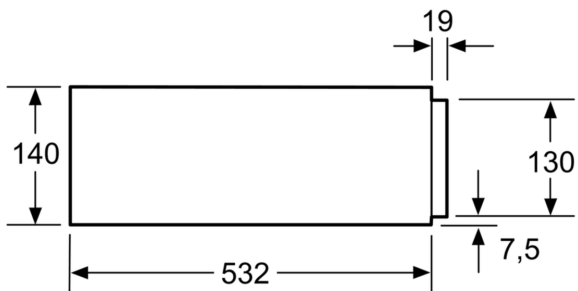
- 1 x Adaptor f. vacuuming outside the chamber, 50 x Vacuuming bag, big, 50 x Vacuuming bag, small, 1 x Vacuuming hose

Technical information

- Cavity Volume: 8 l
- Power cord length 150 cm Cable length
- Nominal voltage: 220 - 240 V
- Total connected load electric: 0.32 KW
- Appliance dimension (hxwxd): 140 mm x 595 mm x 542 mm
- Niche dimension (hxwxd): 141 mm x 560 mm - 568 mm x 550 mm
- Please refer to the dimensions provided in the installation manual

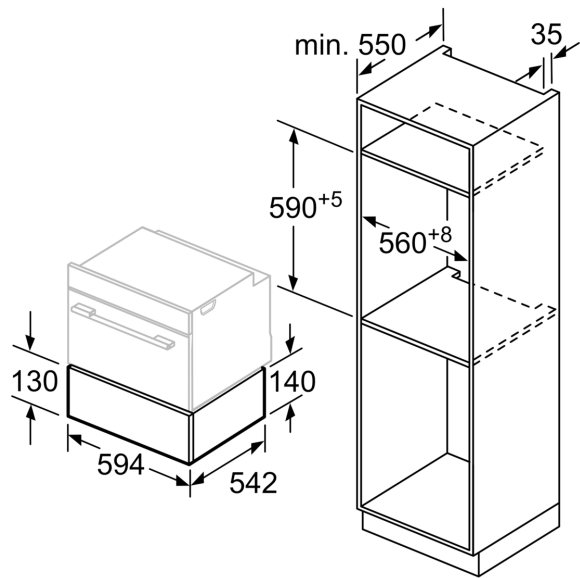
**iQ700, Built-in vacuum drawer, 60
x 14 cm, Black
BV830ENB1**

Dimensioned drawings



Compact ovens with an appliance height of 455 mm can be installed above a vacuum sealing drawer. An intermediate floor is not required.

measurements in mm



measurements in mm