

**Series 6, Built-in warming drawer, 60
x 14 cm, Stainless steel
BIC510NS0B**



**The multifunction warming drawer for the
14 cm niche: for pre-heating plates and
keeping food warm.**

- **Push-pull mechanism:** easy opening and closing thanks to a clever spring mechanism.

Built-in / Free-standing: Built-in
 Maximum number of espresso cups: 64
 Dimensions: 140x594x540 mm
 Dimensions of the packed product (HxWxD): 210 x 660 x 660 mm
 Min. required niche size for installation (HxWxD): 140 x 560 x 550 mm
 EAN code: 4242005035397
 Fuse protection: 6 A
 Voltage: 220-240 V
 Frequency: 60; 50 Hz
 Plug type: GB plug
 Included accessories: 1 x Anti-slip mat



**Series 6, Built-in warming drawer, 60
x 14 cm, Stainless steel
BIC510NS0B**

**The multifunction warming drawer for the
14 cm niche: for pre-heating plates and
keeping food warm.**

Design

- Can accommodate up to:
 - 14 plates
 - 64 espresso cups
- Loading up to 15 kg
- Cavity inner surface: stainless steel
- Push-pull opening mechanism

Programmes/functions

- 4 Functions: keeping drinks and food warm, pre-warming of tableware, yeast dough proving, thawing of delicate foods

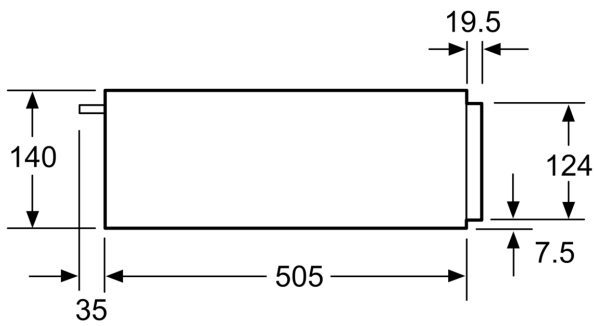
Accessories

- 1 x Anti-slip mat

Performance/technical information

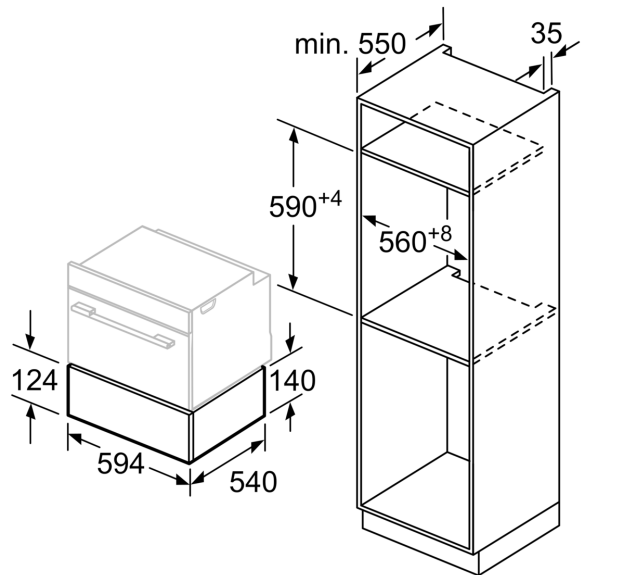
- Cavity volume: 23 l
- Power cord length 150 cm Cable length
- Total connected load electric: 0.4 KW
- Nominal voltage: 220 - 240 V
- Appliance dimension (hxwxd): 140 mm x 594 mm x 540 mm
- Niche dimension (hxwxd): 140 mm x 560 mm - 568 mm x 550 mm
- Please refer to the dimensions provided in the installation manual

**Series 6, Built-in warming drawer, 60
x 14 cm, Stainless steel
BIC510NS0B**



Compact ovens with an appliance height of 455 mm can be installed above a warming drawer. An intermediate floor is not required.

measurements in mm



measurements in mm