

iQ700, Built-in warming drawer, 60 x 14 cm, Black BI830CNB1B



The warming drawer is perfect for preheating crockery, for keeping foods warm and for gentle cooking.

- ✓ push&pull – No-handle drawer that's easy to open and close.
- ✓ The 14 cm high accessory drawer is ideally combined with a 45 cm compact appliance.
- ✓ The heated sheet admits a regulation in four temperature levels from 30°-80°C glass surface temperature

Features

Technical Data

Built-in / Free-standing: Built-in
Capacity (in number of plates): 12
Maximum number of espresso cups: 64
Dimensions: 140 x 594 x 548 mm
Dimensions of the packed product (HxWxD): ... 210 x 660 x 660 mm
Min. required niche size for installation (HxWxD): .. 140 x 560 x 550 mm
EAN code: 4242003788509
Fuse protection: 10 A
Nominal power: 220-240 V
Frequency: 60; 50 Hz
Plug type: GB plug



iQ700, Built-in warming drawer, 60 x 14 cm, Black BI830CNB1B

Features

Design

- Can accommodate up to:
 - -12 plates
 - -64 espresso cups
- Easy to clean toughened glass heating plate
- Temperature control in 4 levels: ca. 30°C - 80°C (glass surface temperature)
- Handleless push-pull opening mechanism
- Stainless steel control dial
- Handleless push-pull opening mechanism
- Door contact switch

Programmes/functions

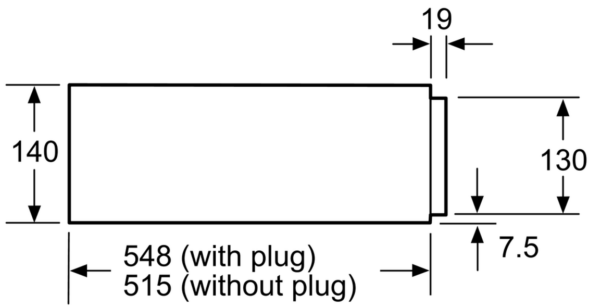
- 5 functions: dough proving thawing of delicate foods keeping drinks and food warm pre-warming of crockery gentle cooking

Technical information

- Cavity volume: 20 l
- Loading up to 25 kg
- Total connected load electric: 0.81 kW
- Nominal voltage: 220 - 240 V
- Power cord length 150 cm Cable length
- Appliance dimension (hxwxd): 140 mm x 594 mm x 548 mm
- Niche dimension (hxwxd): 140 mm x 560 mm - 568 mm x 550 mm
- Please refer to the dimensions provided in the installation manual

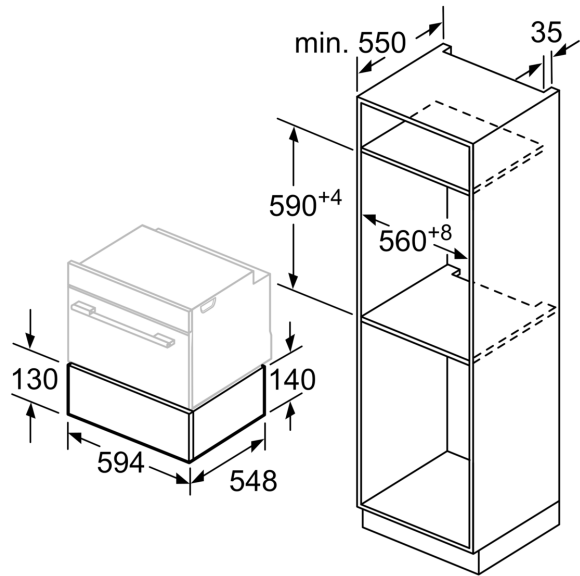
**iQ700, Built-in warming drawer,
60 x 14 cm, Black
BI830CNB1B**

Dimensioned drawings



Compact ovens with an appliance height of 455 mm can be installed above a warming drawer. An intermediate floor is not required.

measurements in mm



measurements in mm