

## iQ700, Built-in warming drawer, 60 x 14 cm, Black BI630CNS1B



The warming drawer is perfect for preheating crockery, for keeping foods warm and for gentle cooking.

- ✓ push&pull – No-handle drawer that's easy to open and close.
- ✓ The 14 cm high accessory drawer is ideally combined with a 45 cm compact appliance.
- ✓ The heated sheet admits a regulation in four temperature levels from 30°-80°C glass surface temperature

Built-in / Free-standing: ..... Built-in  
Capacity (in number of plates): ..... 12  
Maximum number of espresso cups: ..... 64  
Dimensions: ..... 140 x 594 x 548 mm  
Dimensions of the packed product (HxWxD): ... 210 x 650 x 660 mm  
Min. required niche size for installation (HxWxD): .. 140 x 560 x 550 mm  
EAN code: .....4242003676585  
Fuse protection: ..... 10 A  
Nominal power: ..... 220-240 V  
Frequency: ..... 60; 50 Hz  
Plug type: ..... GB plug



## iQ700, Built-in warming drawer, 60 x 14 cm, Black BI630CNS1B

### Design

- Stainless steel control dial
- Handleless push-pull opening mechanism
- Can accommodate up to:
  - -12 plates
  - -64 espresso cups
- Easy to clean toughened glass heating plate
- Temperature control in 4 levels: ca. 30°C - 80°C (glass surface temperature)

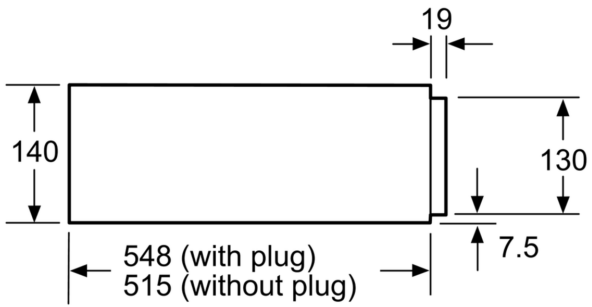
### Programmes/functions

- 5 functions: dough proving thawing of delicate foods keeping drinks and food warm pre-warming of crockery gentle cooking

### Performance/technical information

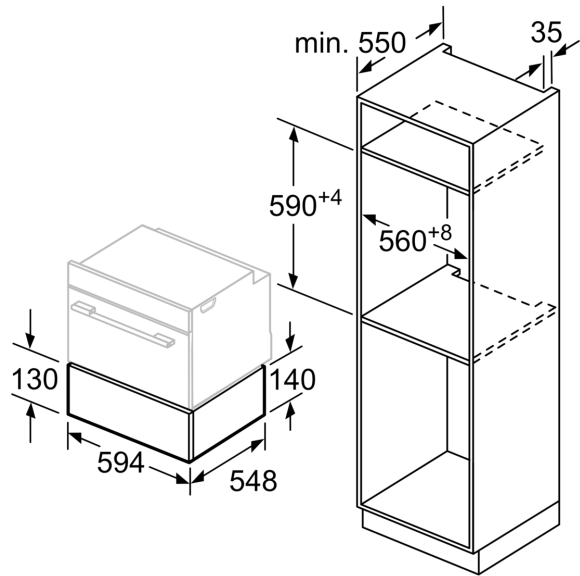
- Cavity volume: 20 l
- Loading up to 25 kg
- Total connected load electric: 0.81 kW
- Power cord length 150 cm Cable length
- Nominal voltage: 220 - 240 V
- Appliance dimension (hxwxd): 140 mm x 594 mm x 548 mm
- Niche dimension (hxwxd): 140 mm x 560 mm - 568 mm x 550 mm
- Please refer to the dimensions provided in the installation manual

**iQ700, Built-in warming drawer,  
60 x 14 cm, Black  
BI630CNS1B**



Compact ovens with an appliance height of 455 mm can be installed above a warming drawer. An intermediate floor is not required.

measurements in mm



measurements in mm