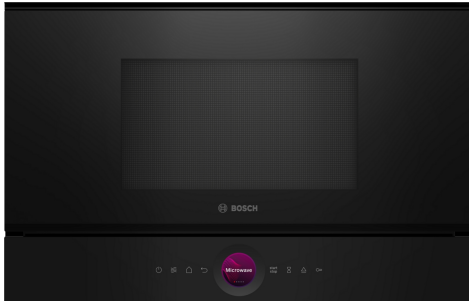


**Series 8, Built-in microwave oven,
Black
BFL7221B1B**



HEZ6UCC0 Cookbook

The compact microwave 38cm. Inverter Technology: constant microwave power for heating food gradually. Microwave Boost Function: quick and easy warming.

- **Digital Control Ring:** simple and intuitive oven control.
- **TFT Touch Display:** intuitive control with the Digital Control Ring and TFT touchscreen.
- **AutoPilot 7:** every dish is a perfect success thanks to 7 pre-set automatic programmes.
- **White LCD display control:** easy-to-use thanks to direct access to additional functions, temperature recommendation and temperature indication.
- **Cleaning Assistance:** less cleaning effort

Type of micro-wave oven: MW only
 Type of control:Electronic
 Dimensions: 382x594x318 mm
 Cavity dimensions: 230 x 350 x 270 mm
 Length electrical supply cord: 175.0 cm
 Net weight: 17.0 kg
 Gross weight: 18.9 kg
 EAN code: 4242005322671
 Max. microwave power level: 900 W
 Connection rating: 1220 W
 Fuse protection: 10 A
 Voltage: 220-240 V
 Frequency: 50; 60 Hz
 Plug type: GB plug



Series 8, Built-in microwave oven, Black BFL7221B1B

**The compact microwave 38cm. Inverter
Technology: constant microwave power
for heating food gradually. Microwave
Boost Function: quick and easy warming.**

Features

- 900 W maximum microwave power and the following options 180 W, 360 W, 600 W, 90 W, 900 W
- Intelligent microwave inverter technology: For optimised results maximum output power will be regulated to 600 W when used in longer operation for gentler cooking.
- Cavity volume: 21 l

Design

- stainless steel, Glass base cavity with Glass base, stainless steel

Cleaning

- hydrolyse program

Programmes/functions

- Electronic clock timer
- Touch controls
- User-friendly electronics: extremely easy and comfortable operation
- AutoPilot, 7
- 3 defrost and 4 cooking programmes in microwave function
- Quick Start Button: one tap to maximum microwave power for 30 seconds
- LED light
- Side opening door, left hinged
- Electronic open button
- Touch key operation

Features

- Start button
- Door contact switch
- Integral cooling fan

Technical information

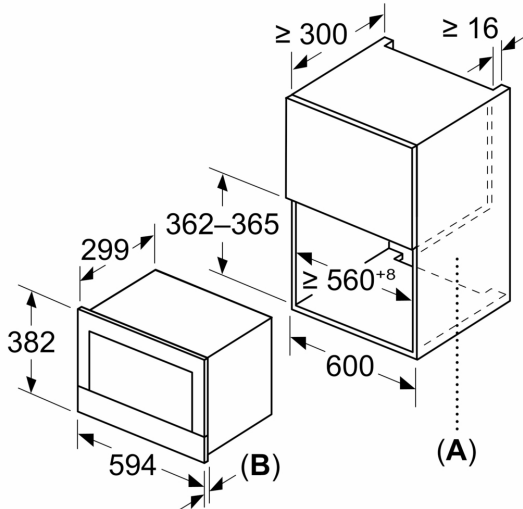
- Total connected load electric: 1.22 KW
- Nominal voltage: 220 - 240 V
- For installation into a 60 cm wide wall unit, installation in tall housing

Performance/technical information

- Appliance dimension (hxwxh): 382 mm x 594 mm x 318 mm
- Niche dimension (hxwxh): 362 mm - 380 mm x 560 mm - 568 mm x 300 mm
- Please refer to the dimensions provided in the installation manual

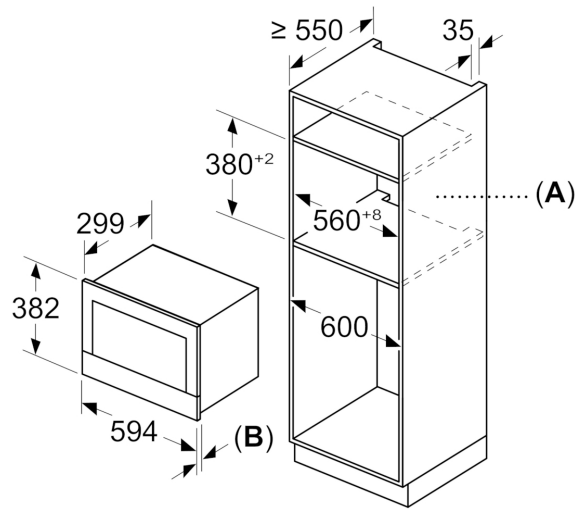
**Series 8, Built-in microwave oven,
Black
BFL7221B1B**

Measurements in mm



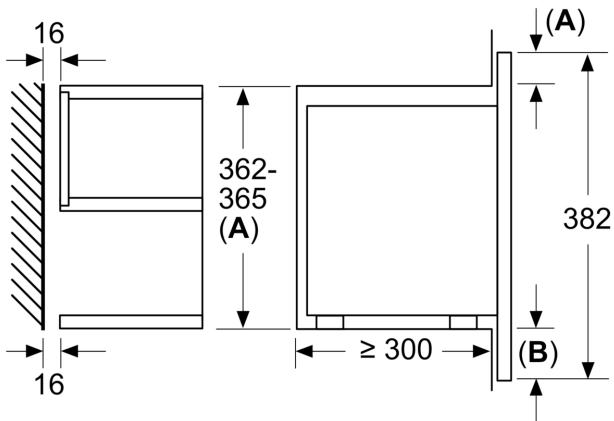
A: Back wall open
B: 19.5 mm

Measurements in mm



A: Back wall open
B: 19.5 mm

measurements in mm



A: Overhang at top:
Recess 362: 6 mm
Recess 365: 3 mm
B: Overhang at bottom: 14 mm