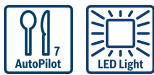


**Series 4, Built-in microwave oven, 59
x 38 cm, Black
BFL553MB0B**



HEZ86D000 Steamer Cooker Accessory for Microwave

**The built-in microwave for the 38 cm
niche: use it for thawing, heating and
perfect preparation of foods.**

- **AutoPilot 7:** every dish is a perfect success thanks to 7 pre-set automatic programmes.
- **Red LED display control:** easy-to-use thanks to clear time display.
- **Pop-out controls:** for an easy to clean front.
- **LED lighting:** perfect illumination of foods with minimum energy consumption.

Type of micro-wave oven: MW only
 Type of control:Electronic
 Dimensions: 382x594x388 mm
 Cavity dimensions: 208.0 x 328.0 x 369.0 mm
 Length electrical supply cord: 130.0 cm
 Net weight: 18.0 kg
 Gross weight: 21.1 kg
 EAN code: 4242005066308
 Max. microwave power level: 900 W
 Connection rating: 1450 W
 Fuse protection: 10 A
 Voltage: 230-240 V
 Frequency: 50 Hz
 Plug type: GB plug



**Series 4, Built-in microwave oven, 59
x 38 cm, Black
BFL553MB0B**

**The built-in microwave for the 38 cm
niche: use it for thawing, heating and
perfect preparation of foods.**

Design

- LED Display, red display
- Side opening door, left hinged
- 31.5 cm Glass turntable
- Cavity inner surface: stainless steel

Features

- Automatic safety switch off
- Door contact switch
- AutoPilot, 7
- LED light
- Integral cooling fan

Programmes/functions

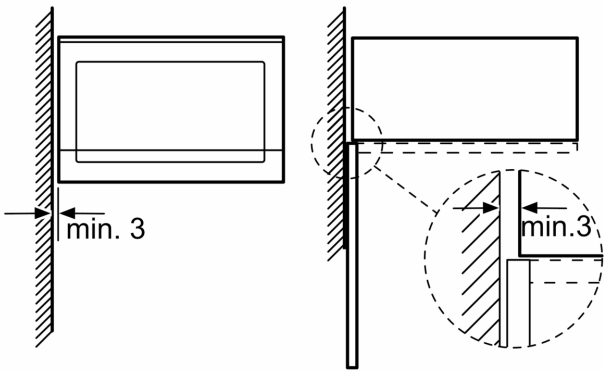
- 900 W maximum microwave power and the following options 180 W, 360 W, 600 W, 90 W, 900 W
- 4 defrost and 3 cooking programmes in microwave function
- 1 memory setting

Performance/technical information

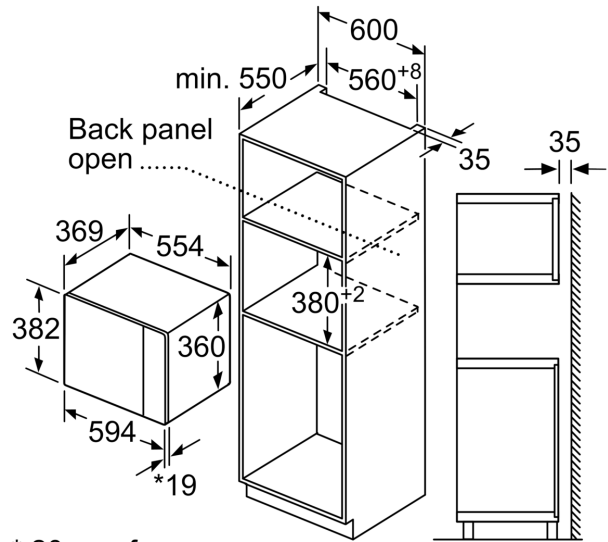
- Cavity volume: 25 l
- 130 cm Cable length
- Total connected load electric: 1.45 KW
- Nominal voltage: 230 - 240 V
- Appliance dimension (hxwxd): 382 mm x 594 mm x 388 mm
- Niche dimension (hxwxd): 380 mm - 382 mm x 560 mm - 568 mm x 550 mm
- Please refer to the dimensions provided in the installation manual

**Series 4, Built-in microwave oven, 59
x 38 cm, Black
BFL553MB0B**

Microwave,
corner installation

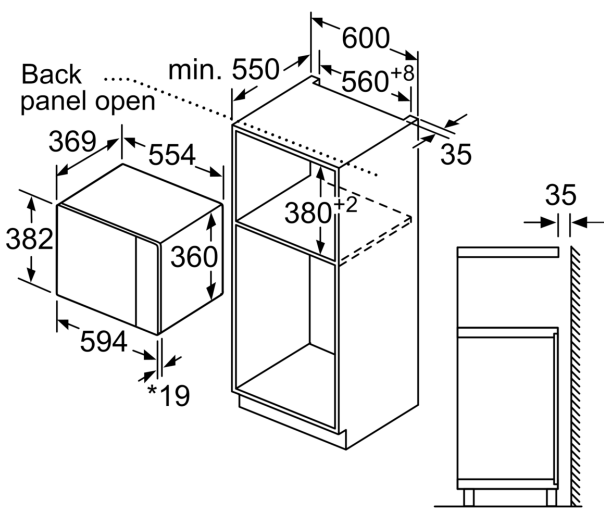


Measurements in mm



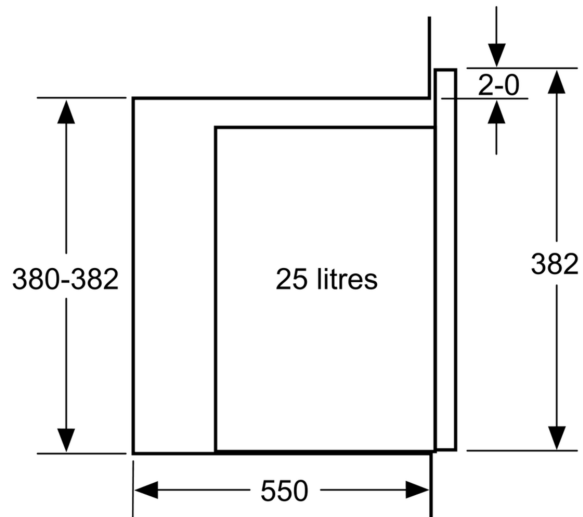
* 20 mm for
metal fascia

measurements in mm



* 20 mm for metal fascia

measurements in mm



measurements in mm