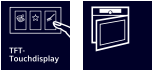


## iQ700, Built-in microwave oven, Black BF922L1B1B



### Optional accessories

|           |          |
|-----------|----------|
| HZ6UCC0   | Cookbook |
| HZG9AS00S | Adapter  |

The microwave with touchControl for easy control and direct selection of heating modes.

- ✓ TFT-Touchdisplay: intuitive, user-friendly, touch-based navigation and operation.
- ✓ humidClean Plus: softens dirt by vaporising soapy water. Ready to be easily wiped away.
- ✓ Automatic programs ensure excellent results - cookControl7.
- ✓ 900 Watts maximum: ideal for heating liquids
- ✓ The side-opening hinged door: ideal for elevated installation.

### Features

#### Technical Data

|                                      |                    |
|--------------------------------------|--------------------|
| Additional functions: .....          | Microwave only     |
| Control panel: .....                 | Electronic         |
| Dimensions: .....                    | 382 x 594 x 318 mm |
| Cavity dimensions: .....             | 230 x 350 x 270 mm |
| Length electrical supply cord: ..... | 175.0 cm           |
| Weight: .....                        | 17.1 kg            |
| Gross weight: .....                  | 18.9 kg            |
| EAN code: .....                      | 4242003906743      |
| Maximum micro-wave power: .....      | 900 W              |
| Connection Rating: .....             | 1220 W             |
| Fuse protection: .....               | 10 A               |
| Nominal power: .....                 | 220-240 V          |
| Frequency: .....                     | 50; 60 Hz          |
| Plug type: .....                     | GB plug            |



## iQ700, Built-in microwave oven, Black BF922L1B1B

### Features

#### Features

- Maximum microwave power level: 900 W and the following options 180 W, 360 W, 600 W, 90 W, 900 W
- Intelligent microwave inverter technology: For optimised results maximum output power will be regulated to 600 W when used in longer operation for gentler cooking.
- Cavity volume: 21 l

#### Design

- stainless steel, Stainless steel cavity with glass base cavity with Stainless steel cavity with glass base, stainless steel

#### Cleaning

- hydrolyse program

#### Programmes/functions

- Electronic oven clock timer
- Touch control
- User-friendly electronics: extremely
- easy and comfortable operation
- cookControl, 7
- 3 defrost and 4 cooking programmes in microwave function
- yes: one tap to maximum microwave power for 30 seconds
- LED light
- Left hinged door
- Electronic door opening button
- Touch key operation

#### Features

- Start button
- Door contact switch
- Integral cooling fan

#### Technical information

- Total connected load electric: 1.22 KW
- Nominal voltage: 220 - 240 V
- Installation in 60 cm wide wall unit, Installation in tall housing

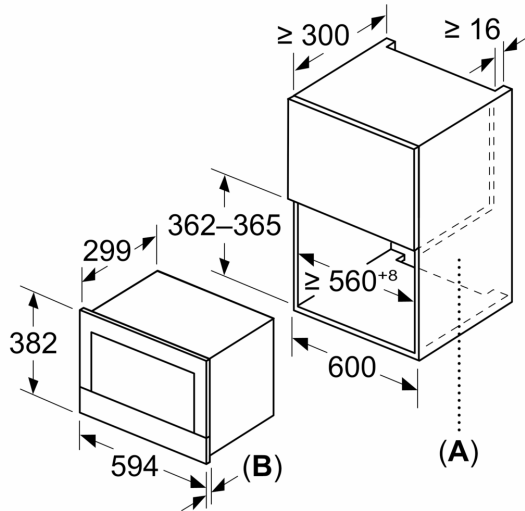
#### Performance/technical information

- Appliance dimension (hxwxd): 382 mm x 594 mm x 318 mm
- Niche dimension (hxwxd): 362 mm - 382 mm x 560 mm - 568 mm x 300 mm
- Please refer to the dimensions provided in the installation manual

iQ700, Built-in microwave oven,  
Black  
BF922L1B1B

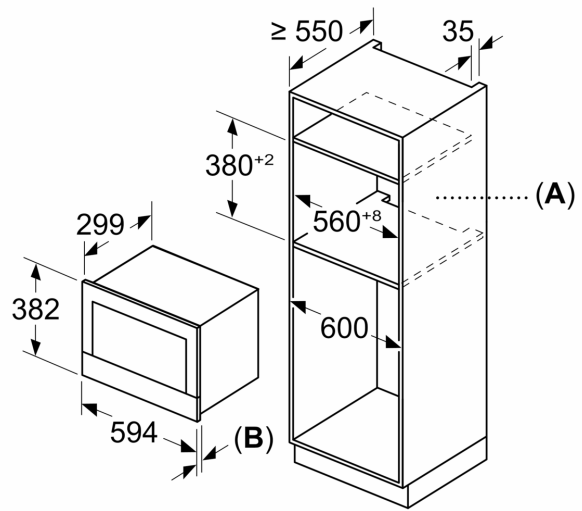
Dimensioned drawings

Measurements in mm



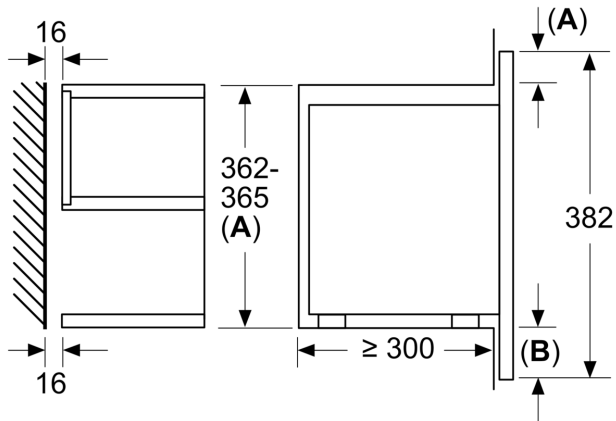
**A:** Back wall open  
**B:** 19.5 mm

Measurements in mm



**A:** Back wall open  
**B:** 19.5 mm

measurements in mm



**A:** Overhang at top:  
Recess 362: 6 mm  
Recess 365: 3 mm  
**B:** Overhang at bottom: 14 mm