

**iQ700, Built-in microwave oven,
Stainless steel
BE634LGS1B**



Included accessories

1 x grid, 1 x Glass tray

Optional accessories

HZ6TCC0 Cookbook

38 cm high built-in microwave for defrosting, reheating or preparation of dishes in the shortest possible time.

- ✓ cookControl10: automatic programs ensure best results.
- ✓ TFT Display: good readability from any perspective.
- ✓ 900 Watts maximum: ideal for heating liquids
- ✓ The side-opening hinged door: ideal for elevated installation.
- ✓ Foods are evenly browned - grill function.

Features

Technical Data

Additional functions:Grill function
 Control panel:Electronic
 Dimensions:382 x 594 x 318 mm
 Cavity dimensions:220 x 350 x 270 mm
 Length electrical supply cord:150.0 cm
 Weight:18.5 kg
 Gross weight:20.8 kg
 EAN code:4242003676370
 Maximum micro-wave power:900 W
 Connection Rating:1990 W
 Fuse protection:10 A
 Nominal power:220-240 V
 Frequency:50; 60 Hz
 Plug type:GB plug
 Included accessories:1 x grid, 1 x Glass tray



iQ700, Built-in microwave oven, Stainless steel BE634LGS1B

Features

Design

- 2.8" TFT Display
- Left hinged door
- Electronic door opening button
- stainless steel, Stainless steel cavity with glass base cavity with Stainless steel cavity with glass base, stainless steel
- Touch control, Push buttons

Features

- Intelligent microwave inverter technology: For optimised results maximum output power will be regulated to 600 W when used in longer operation for gentler cooking.
- Start button
- Door contact switch
- Electronic oven clock timer
- cookControl, 10
- LED light
- Integral cooling fan

Programmes/functions

- Maximum microwave power level: 900 W and the following options 180 W, 360 W, 600 W, 90 W, 900 W
- 1.3 KW grill function
- Grill and microwave power levels 90 W, 180 W, 360 W combinable
- Microwave and grill for separate use

Accessories

- 1 x Glass tray, 1 x grid

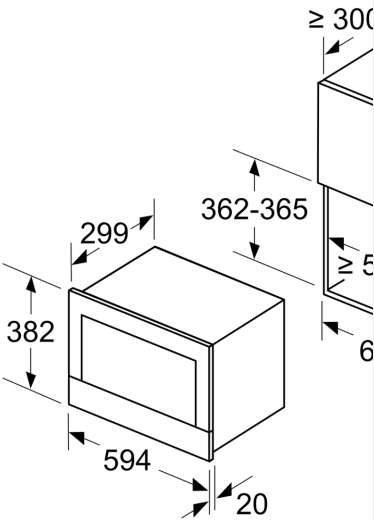
Performance/technical information

- Cavity volume: 21 l
- Power cord length 150 cm Cable length
- Total connected load electric: 1.99 KW
- Nominal voltage: 220 - 240 V
- Appliance dimension (hxwx): 382 mm x 594 mm x 318 mm
- Niche dimension (hxwx): 362 mm - 382 mm x 560 mm - 568 mm x 300 mm
- Please refer to the dimensions provided in the installation manual
- Installation in 60 cm wide wall unit, Installation in tall housing

iQ700, Built-in microwave oven,
 Stainless steel
 BE634LGS1B

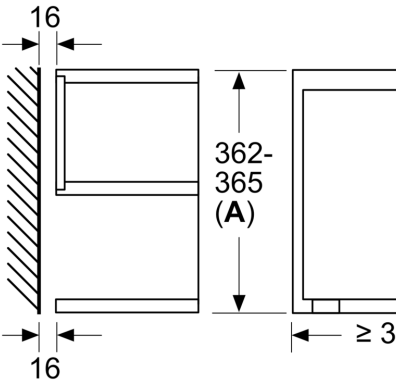
Dimensioned drawings

measurements in mm

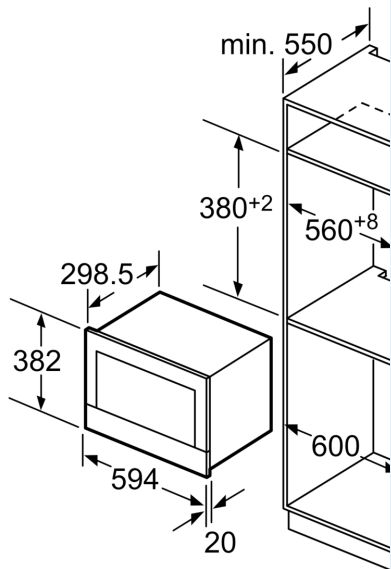


A: Back panel open

measurements in mm



- A: Overhang at top:
 Recess 362: 6 mm
 Recess 365: 3 mm
- B: Overhang at bottom: 14 mm



meas