

N 90, BUILT-IN OVEN, 60 X 60 CM,  
GRAPHITE-GREY  
B64CS71G0B



Included accessories

2 x combination grid, 1 x universal pan

Optional accessories

Z11CR10X0	Baking and roasting grid (standard)
Z11SZ80G0	SeamlessCombination 60 + 29cm
Z11SZ90G0	SeamlessCombination 60 + 45cm
Z1365WX0	Wireless food thermometer
Z13CV06S0	Decor strip
Z1608CX0	Full ext rails, level independent, pyro
Z1650BE0	Half tray
Z1655CA0	Air Fry & Grill tray
Z166CAX0	SC FlexDesign mounting kit

Built-in oven with Slide & Hide® - an easy to handle door that gently disappears under the oven. Home Connect - control your oven via the App.

- ✓ 4.1-inch Full Touch TFT Display: easy, intuitive menu for smart and enjoyable cooking.
- ✓ Slide & Hide®: the easy-to-handle oven door that slides away for unrestricted access.
- ✓ Circo Therm®: the smart solution for simultaneous baking and roasting on up to four levels.
- ✓ Pyrolytic Self-Cleaning with Easy Clean: the perfect cleaning partnership.
- ✓ Soft Open & Close: self-regulating doors for a quieter experience.

Features

Technical Data

Built-in / Free-standing: ..... Built-in  
 Integrated Cleaning system: ..... Pyrolytic+Hydrolytic  
 Required niche size for installation (HxWxD): 585-595 x 560-568 x 550 mm  
 Dimensions: ..... 595x596x548 mm  
 Dimensions of the packed product (HxWxD): ..... 675x660x690 mm  
 Control Panel Material: ..... Stainless steel  
 Door Material: ..... Glass  
 Net weight: ..... 37.8 kg  
 Usable volume of cavity: ..... 71 l  
 Cooking method: .. CircoTherm®, Air fry, Bread Baking Setting, Full width grill, Dough proving setting, Hotair gentle, Half width grill, Conventional heat, Conventional heat gentle, Pizza setting, low temperature cooking, Bottom heat, Hot air grilling, pre-heating, warming  
 Length electrical supply cord: ..... 120 cm  
 EAN code: ..... 4242004266099  
 Number of cavities (2010/30/EC): ..... 1  
 Energy efficiency rating: ..... A+  
 Energy consumption per cycle conventional (2010/30/EC): 0.87 kWh/cycle  
 Energy consumption per cycle forced air convection (2010/30/EC): ..... 0.69 kWh/cycle  
 Energy efficiency index (2010/30/EC): ..... 81.2 %  
 Connection Rating: ..... 3600 W  
 Fuse protection: ..... 16 A  
 Voltage: ..... 220-240 V  
 Frequency: ..... 50; 60 Hz  
 Plug type: ..... no plug (electrical connection by electrician)  
 Included accessories: ..... 2 x combination grid, 1 x universal pan



N 90, BUILT-IN OVEN, 60 X 60 CM,  
GRAPHITE-GREY  
B64CS71G0B

## Features

- Oven with 15 heating methods: CircoTherm®, Top/bottom heat, Circo-roasting, Full surface grill, Centre surface grill, CircoTherm® intensive, Bread baking, Bottom heat, Low temperature cooking, Dough proving, Plate warming, Keep warm, CircoTherm® gentle, Conventional heat gentle, Air fry

### Design

- Graphite-Grey Edition
- Touch control With steel trim
- Cavity inner surface: enamel anthracite

### Features

- HomeConnect ready on WLAN
- Oven Assistant with Voice Control
- Door lock during pyrolytic cleaning
- Control panel lock
- Automatic safety switch off
- Residual heat indicator
- Start button
- Door contact switch
- Full glass inner door

### Programmes/functions

- Temperature range 30 °C - 230 °C
- LED light, On/off button
- Electronic clock timer
- Slide&Hide® with rotating handle
- SoftClose, SoftOpen
- Quadruple glazed door glazed CoolTouch door
- 30 °C - Very low door temperature
- Temperature proposal
- Actual temperature display
- Heating up indicator
- cookControl Plus
- Rapid heat
- Cooling fan
- Stainless-steel fan

### Level independent telescopic rails

- 4 shelf positions
- Available as an accessory, pyrolytic proof

### Cleaning

- Pyrolytic cleaning
- EasyClean

### Accessories

- 2 x combination grid, 1 x universal pan

### Performance/technical information

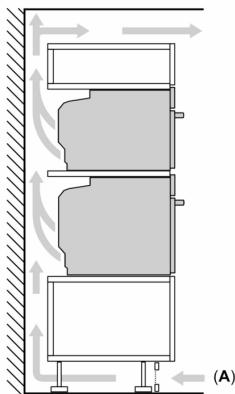
- 120 cm Cable length
- Nominal voltage: 220 - 240 V
- Total connected load electric: 3.6 KW
- Energy efficiency rating (acc. EU Nr. 65/2014): A+

- Energy consumption per cycle in conventional mode: 0.87 kWh
- Energy consumption per cycle in fan-forced convection mode: 0.69 kWh
- Number of cavities: Main cavity
- Heat source: electrical
- Cavity volume: 71 litre
- Appliance dimension (hxwxd): 595 mm x 596 mm x 548 mm
- Niche dimension (hxwxd): 585 mm - 595 mm x 560 mm - 568 mm x 550 mm
- "For-details-on-installation-and-ventilation requirements – please refer to the installation manual prior to fitting."

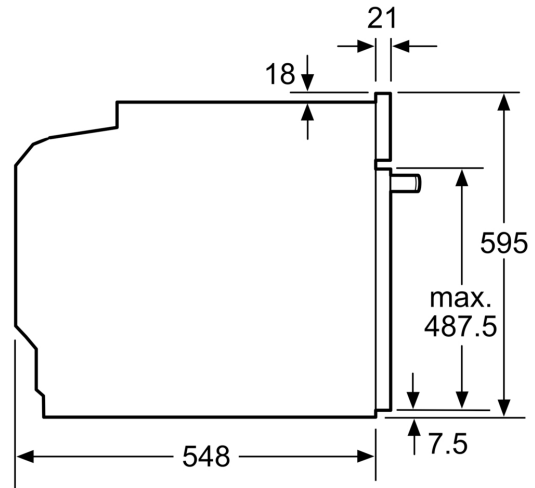
N 90, BUILT-IN OVEN, 60 X 60 CM,  
GRAPHITE-GREY  
B64CS71G0B

Dimensioned drawings

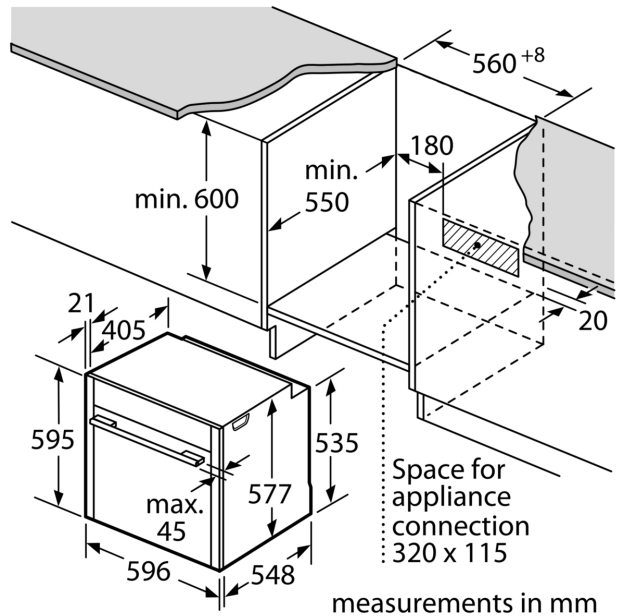
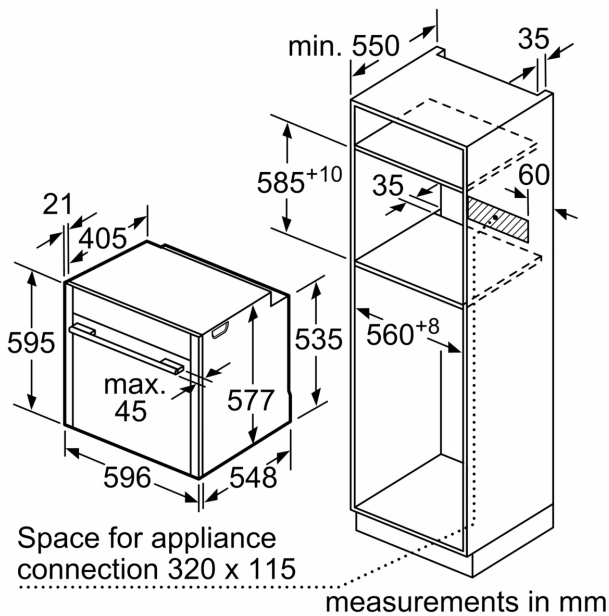
Installing two appliances on top of each other  
Air exchange



A: Air inlet  $\geq 200 \text{ cm}^2$



measurements in mm



## Dimensioned drawings

If the appliance will be installed underneath a hob, the following worktop thicknesses (including substructure if necessary) must be taken into account.

Hob type	min. worktop thickness	
	fitted	flush
Induction hob	37 mm	38 mm
Full surface Induction hob	47 mm	48 mm
Gas hob	30 mm	38 mm
Electric hob	27 mm	30 mm