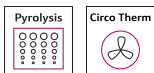


N 30, BUILT-IN OVEN, 60 X 60 CM, BLACK  
B2CCJ7AK0B



Optimal cooking results: CircoTherm® hot air system and Pyrolytic Self-Cleaning.

- ✓ LED Touch Control - user friendly and intuitive navigation via touch buttons.
- ✓ Dual cleaning options: Pyrolytic cleaning programmes - just let the oven interior clean itself. EasyClean - the quick and easy option for day to day maintenance.
- ✓ CircoTherm® – Smart hot-air solution that lets you bake on up to three levels at once.
- ✓ Automatic programmes - Your kitchen helper with just the right default settings.
- ✓ Energy Efficiency Class A+: Energy efficient cooking, more joy, less fuss.

Features

Technical Data

Built-in / Free-standing: ..... Built-in  
 Integrated Cleaning system: ..... Pyrolytic+Hydrolytic  
 Required niche size for installation (HxWxD): 585-595 x 560-568 x 550 mm  
 Dimensions: ..... 595x594x548 mm  
 Dimensions of the packed product (HxWxD): .....675x660x690 mm  
 Control Panel Material: ..... Glass  
 Door Material: ..... Glass  
 Net weight: ..... 36.3 kg  
 Usable volume of cavity: ..... 71 l  
 Cooking method: ..... Full width grill, Hotair gentle, Hot Air, Conventional heat, Pizza setting, Hot air grilling  
 Length electrical supply cord: ..... 120 cm  
 EAN code: .....4242004290629  
 Number of cavities (2010/30/EC): ..... 1  
 Energy efficiency rating: ..... A+  
 Energy consumption per cycle conventional (2010/30/EC): 0.94 kWh/cycle  
 Energy consumption per cycle forced air convection (2010/30/EC): ..... 0.69 kWh/cycle  
 Energy efficiency index (2010/30/EC): .....81.2 %  
 Connection Rating: ..... 2990 W  
 Fuse protection: .....13 A  
 Voltage: .....220-240 V  
 Frequency: ..... 50; 60 Hz  
 Plug type: ..... no plug (electrical connection by electrician)  
 Included accessories: .....2 x combination grid, 1 x universal pan



Included accessories

2 x combination grid, 1 x universal pan

Optional accessories

Z11AB15A0 Baking tray, non-stick ceramic coated, Z11AU15A0 Universal pan, non-stick ceramic coated, Z11CR10X0 Baking and roasting grid (standard), Z11GU20X0 Glasspan, Z11TI15X0 Cliprails, Z12CB10A0 Baking tray, enamelled, Z12CL10A0 Lid for professional pan, enamelled, Z12CM10A0 Moussaka pan, enamelled, Z12CN10A0 Professional pan, enamelled, Z12CP10A0 Pizza pan, enamelled, Z12CU10A0 Multipurpose pan, enamelled, Z1365WX0 Wireless food thermometer, Z13CV06S0 Decor strip, Z1608BX0 Full ext rails, level independent, Z1650BE0 Half tray, Z1655CA0 Air Fry & Grill tray, Z166CAX0 SC FlexDesign mounting kit, Z1913X0 Baking Stone

## N 30, BUILT-IN OVEN, 60 X 60 CM, BLACK B2CCJ7AKOB

### Features

#### Features

- Oven with Multifunction oven with 6 cooking functions: heating methods: CircoTherm®, Top/bottom heat, Circo-roasting, Full surface grill, CircoTherm® intensive, CircoTherm® gentle
- Temperature range 30 °C - 275 °C
- Cavity volume: 71 litre
- Shelf support rails, Smooth cavity interior

#### Level independent telescopic rails

- 4 shelf positions
- Available as an accessory

#### Design

- Touch control With steel trim
- Cavity inner surface: enamel anthracite

#### Cleaning

- Pyrolytic cleaning
- EasyClean
- Full glass inner door

#### Programmes/functions

- Electronic clock timer
- Temperature proposal
- Actual temperature display
- Heating up indicator
- automatic programmes:
- Number of automatic programmes: 10 PC
- Bar handle
- Automatic programmes
- Rapid heat
- Interior halogen light, On/off button
- Cooling fan

#### Accessories

- 2 x combination grid, 1 x universal pan

#### Features

- 30 °C - Very low door temperature
- Low door temperature during pyrolytic cleaning
- Quadruple glazed door glazed CoolTouch door
- Door lock during pyrolytic cleaning
- Control panel lock
- Automatic safety switch off
- Start button

#### Technical information

- 120 cm Cable length
- Nominal voltage: 220 - 240 V
- Total connected load electric: 2.99 KW
- Energy efficiency rating (acc. EU Nr. 65/2014): A+
- Energy consumption per cycle in conventional mode: 0.94 kWh
- Energy consumption per cycle in fan-forced convection mode: 0.69 kWh

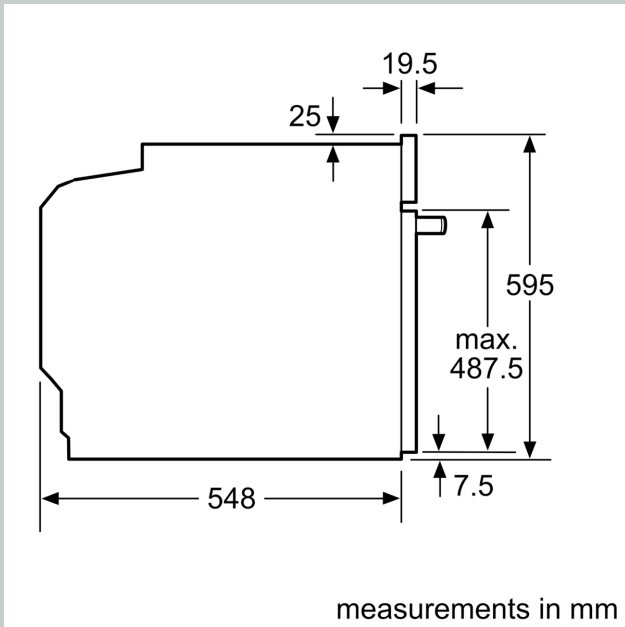
- Number of cavities: Main cavity
- Heat source: electrical
- Cavity volume: 71 litre

#### Performance/technical information

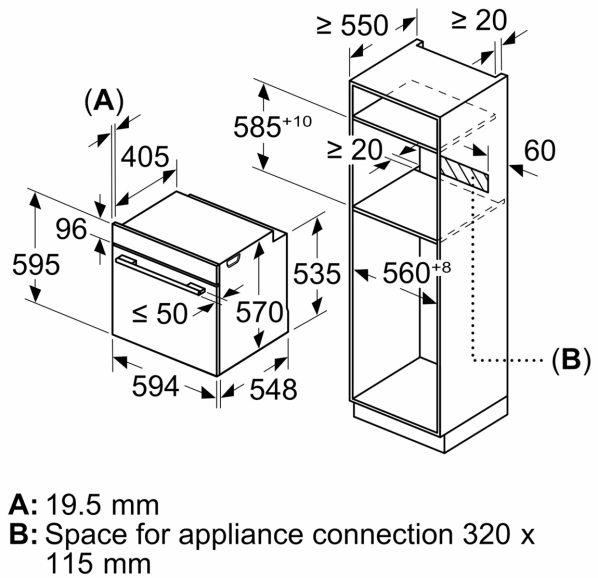
- Appliance dimension (hxwxd): 595 mm x 594 mm x 548 mm
- Niche dimension (hxwxd): 585 mm - 595 mm x 560 mm - 568 mm x 550 mm
- "For-details-on-installation-and-ventilation requirements – please refer to the installation manual prior to fitting."

N 30, BUILT-IN OVEN, 60 X 60 CM, BLACK  
B2CCJ7AK0B

Dimensioned drawings



Measurements in mm



Installation with a hob.

