

N 50, Built-in oven, 60 x 60 cm, Stainless steel  
B2ACH7HNOB



COOKING PASSION SINCE 1877



A



- ✓ Dual cleaning options: Pyrolytic cleaning programmes - just let the oven interior clean itself. EasyClean - the quick and easy option for day to day maintenance.
- ✓ LCD-Display – simple, straightforward with large characters for clear reading
- ✓ Clip-on Rail - easily removed and installed telescopic rails for flexible use on all shelf levels

#### Features

##### Technical Data

Color / Material Front : Stainless steel  
 Construction type : Built-in  
 Integrated Cleaning system : Pyrolytic+Hydrolytic  
 Required niche size for installation (HxWxD) : 585-595 x 560-568 x 550  
 Dimensions : 595 x 594 x 548  
 Dimensions of the packed product (HxWxD) (mm) : 675 x 690 x 660  
 Control Panel Material : Glass  
 Door Material : Glass  
 Net weight (kg) : 38.442  
 Usable volume of cavity (l) : 71  
 Cooking method : Bottom heat, Bread Baking Setting, Conventional heat, Full width grill, Hot Air, Hotair gentle, Hot air grilling, Pizza setting  
 First cavity material : Other  
 Temperature control : electronic  
 Number of interior lights : 1  
 Approval certificates : CE, VDE  
 Length of electrical supply cord (cm) : 120  
 EAN code : 4242004225102  
 Number of cavities (2010/30/EC) : 1  
 Energy efficiency rating : A  
 Energy consumption per cycle conventional (2010/30/EC) : 0.99  
 Energy consumption per cycle forced air convection (2010/30/EC) : 0.81  
 Energy efficiency index (2010/30/EC) : 95.3  
 Connection rating (W) : 2990  
 Current (A) : 13  
 Voltage (V) : 220-240  
 Frequency (Hz) : 60; 50  
 Plug type : no plug

#### Optional accessories

Z11AB15A0 Baking tray, non-stick ceramic coated  
 Z11CB10E0 Baking tray, grey enamelled  
 Z11CR10X0 Baking and roasting grid (standard)  
 Z11GT10X3 Glass roasting dish, 5,4l  
 Z11TF36X0 3 level telescopic rails, full ext  
 Z11TI15X0 Cliprails  
 Z13CV05S0 Cover Strip  
 Z1913X0 Baking Stone  
 Z19DD10X0 Steam set for ovens



4 242004 225102

N 50, Built-in oven, 60 x 60 cm, Stainless steel  
B2ACH7HNOB



COOKING PASSION SINCE 1877

## Features

### Design

- LCD-Display Control (white)
- Cavity inner surface: enamel grey

### Features

- Door lock during pyrolytic cleaning  
Control panel lock  
Automatic safety switch off  
Residual heat indicator
- Temperature proposal  
Actual temperature display  
Heating up indicator  
Automatic start
- Interior halogen light

### Cleaning

- Pyrolytic cleaning
- EasyClean

### Programmes/functions

- Rapid heat
- Cooling fan

### Accessories

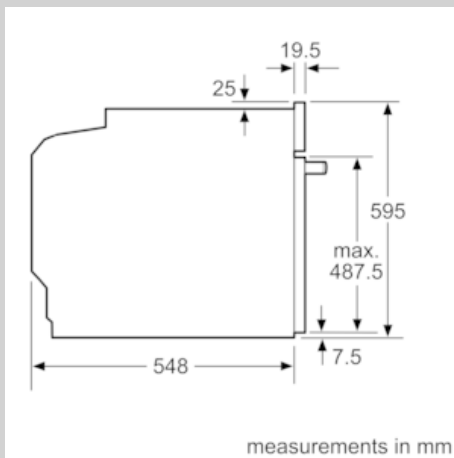
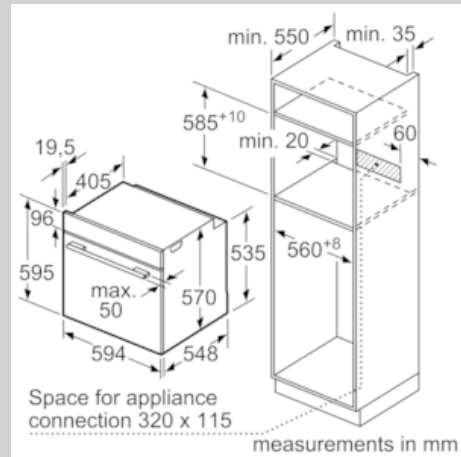
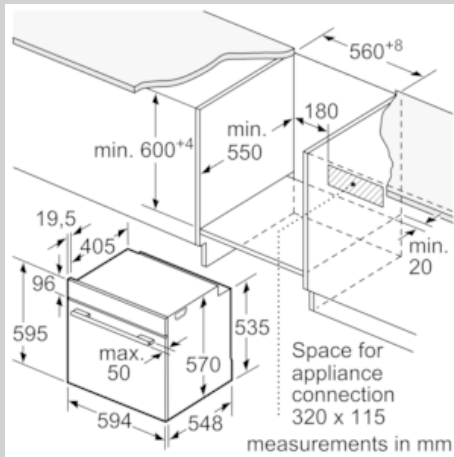
- 1 Clip rail, Stop function
- 1 x universal pan, 2 x combination grid

### Performance/technical information

- Energy efficiency rating (acc. EU Nr. 65/2014): A  
Energy consumption per cycle in conventional mode: 0.99 kWh  
Energy consumption per cycle in fan-forced convection mode:  
0.81 kWh  
Number of cavities: Main cavity  
Heat source: electrical  
Cavity volume: 71 litre
- Total connected load electric: 2.99 KW
- 120 cm Cable length
- Nominal voltage: 220 - 240 V
- Appliance dimension (hxwxh): 595 mm x 594 mm x 548 mm
- Niche dimension (hxwxh): 585 mm - 595 mm x 560 mm - 568 mm  
x 550 mm
- Please refer to the dimensions provided in the installation manual

N 50, Built-in oven, 60 x 60 cm, Stainless steel  
B2ACH7HNOB

Dimensioned drawings



Installation with a hob.

