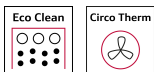


N 50, BUILT-IN OVEN, 60 X 60 CM,  
GRAPHITE-GREY  
B1ACE4AG3B



Optimal cooking results: CircoTherm® hot-air system for simultaneous baking and roasting on up to 3 levels.

- ✓ Eco Clean with Easy Clean - the duo that makes oven cleaning easier
- ✓ LCD-Display – simple, straightforward with large characters for clear reading
- ✓ CircoTherm® – Smart hot-air solution that lets you bake on up to three levels at once.
- ✓ Soft Close with Soft Opening - the damping system cushions the door for gentle opening and closing

Built-in / Free-standing: ..... Built-in  
 Integrated Cleaning system: ..... EcoClean  
 programme, Hydrolytic  
 Required niche size for installation (HxWxD): 585-595 x 560-568 x  
 550 mm  
 Dimensions: ..... 595x594x548 mm  
 Dimensions of the packed product (HxWxD): . 675 x 660 x 690 mm  
 Control Panel Material: ..... Glass  
 Door Material: ..... Glass  
 Net weight: ..... 33.4 kg  
 Usable volume of cavity: ..... 71 l  
 Cooking method: ..... Full width grill, Hotair gentle, Hot Air,  
 Conventional heat, Pizza setting, Hot air grilling  
 Oven control: ..... mechanical  
 Number of interior lights: ..... 1  
 Length electrical supply cord: ..... 120.0 cm  
 EAN code: ..... 4242004281061  
 Number of cavities (2010/30/EC): ..... 1  
 Energy efficiency rating: ..... A+  
 Energy consumption per cycle conventional (2010/30/EC): 0.94  
 kWh/cycle  
 Energy consumption per cycle forced air convection  
 (2010/30/EC): ..... 0.69 kWh/cycle  
 Energy efficiency index (2010/30/EC): .....81.2 %  
 Connection Rating: ..... 2990 W  
 Fuse protection: ..... 13 A  
 Voltage: ..... 220-240 V  
 Frequency: ..... 50; 60 Hz  
 Plug type: ..... no plug  
 (electrical connection by electrician)  
 Included accessories: ..... 2 x combination grid, 1 x universal pan

2 x combination grid, 1 x universal pan

Z11AB15A0 Baking tray, non-stick ceramic coated, Z11AU15A0  
 Universal pan, non-stick ceramic coated, Z11CR10X0 Baking and  
 roasting grid (standard), Z11GU20X0 Glasspan, Z11TI15X0  
 Cliprails, Z12CB10A0 Baking tray, enamelled, Z12CL10A0 Lid for  
 professional pan, enamelled, Z12CM10A0 Moussaka pan,  
 enamelled, Z12CN10A0 Professional pan, enamelled, Z12CP10A0  
 Pizza pan, enamelled, Z12CU10A0 Multipurpose pan, enamelled,  
 Z1365WX0 Wireless food thermometer, Z1608BX0 Full ext rails,  
 level independent, Z1650BE0 Half tray, Z1655CA0 Air Fry & Grill  
 tray, Z1913X0 Baking Stone



N 50, BUILT-IN OVEN, 60 X 60 CM,  
GRAPHITE-GREY  
B1ACE4AG3B

#### Features

- Oven with Multifunction oven with 6 cooking functions: heating methods: CircoTherm®, Top/bottom heat, Circo-roasting, Full surface grill, CircoTherm® intensive, CircoTherm® gentle
- Temperature range 50 °C - 275 °C
- Cavity volume: 71 litre

#### Level independent telescopic rails

- 4 shelf positions
- Available as an accessory

#### Design

- Graphite-Grey Edition
- Elongated designed dials, Retractable control dials, Bevelled oval controls
- Cavity inner surface: enamel anthracite

#### Cleaning

- EcoClean Direct : back panel
- EasyClean
- Full glass inner door

#### Programmes/functions

- LCD Display (White)
- Electronic clock timer
- Heating up indicator
- Automatic start
- Drop down door, SoftClose, soft opening
- Bar handle
- Manual rapid heating up
- Interior halogen light
- Cooling fan
- Stainless-steel fan

#### Accessories

- 2 x combination grid, 1 x universal pan

#### Features

- Heat reflective glass
- Triple glazed door glazed CoolTouch door
- Control panel lock

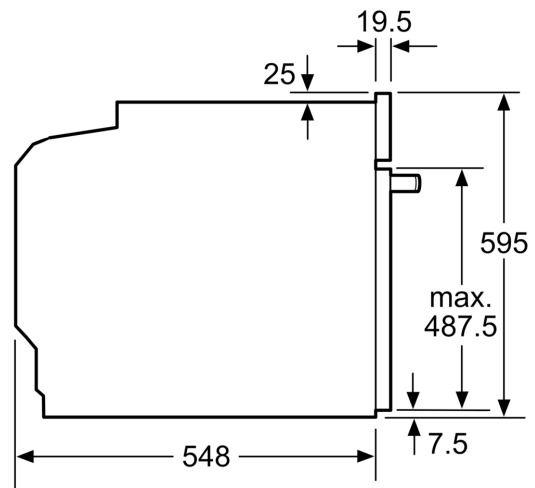
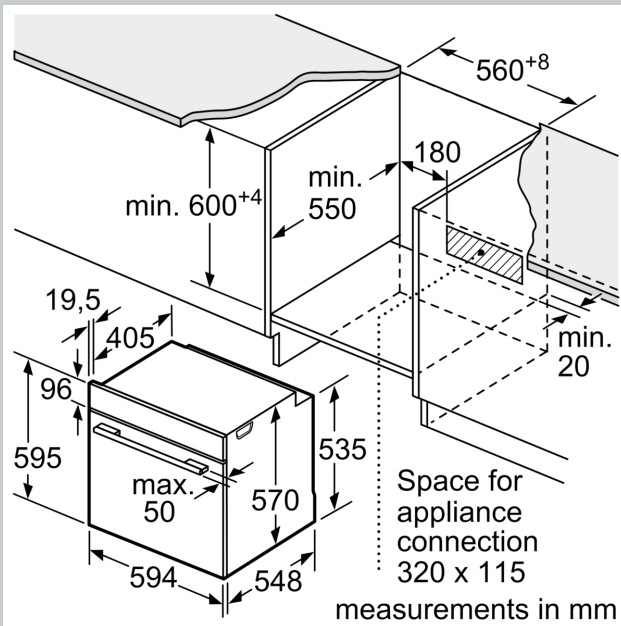
#### Technical information

- 120 cm Cable length
- Nominal voltage: 220 - 240 V
- Total connected load electric: 2.99 KW

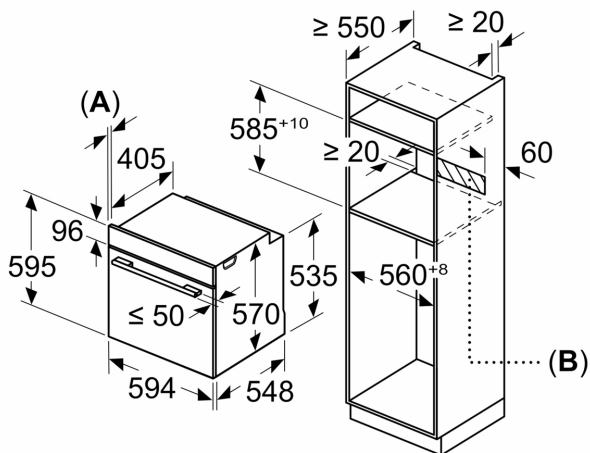
#### Performance/technical information

- Appliance dimension (hwxwd): 595 mm x 594 mm x 548 mm
- Niche dimension (hwxwd): 585 mm - 595 mm x 560 mm - 568 mm x 550 mm
- Please refer to the dimensions provided in the installation manual
- We recommend you to choose complementary products within N50, in order to assure an optimal design combination of your Built-In appliances.

N 50, BUILT-IN OVEN, 60 X 60 CM,  
GRAPHITE-GREY  
B1ACE4AG3B



Measurements in mm



Installation with a hob.

