

Dual Fuel Freestanding Range  
PRD486NLGC



**PRD486NLGC**

**INNOVATION**

- Patented Pedestal Star® Burner with QuickClean Base® designed for easy surface cleaning and superior heat spread for any size pan
- Powerful 22,000 BTU (NG) burner (front right)
- Precision simmering capabilities as low as 100°F (375 BTU) with 4 ExtraLow® Simmer burners
- SoftClose® hinges for ultra smooth closing of the oven door
- Cleans both ovens simultaneously in just 2 hours

**PERFORMANCE**

- 18,000 BTU (NG) Star® Burners
- Superior grilling results, 2000 watt electric grill
- Electronic oven display interfaces to cook timer, CookControl™ meat probe and preheat status with audible alert
- Full featured small oven with convection, broil, self clean and CookControl™ meat probe
- Powerful, 8-pass bake and broil elements in large oven and 6-pass elements in small oven
- Third Element Convection offers precise airflow for cooking on multiple levels without flavor transfer
- Large oven 5.7 cu.ft.-accommodates commercial sheet pan plus 2.5 cu.ft. in small oven
- Full Access® telescopic rack, with integrated easy-grip handle
- Six rack levels in each oven for multiple item cooking
- Star-K Kosher certified

**DESIGN**

- Bold Professional design
- Pinhole and panel lighting concepts provide functional and stylish aesthetics
- Restaurant style metal knobs
- Professional style, continuous cast iron grates
- Continuous porcelain, easy to clean cooking surface
- Hidden bake element makes clean-up one smooth surface
- Large oven door window for maximum viewing
- Powerful halogen lighting illuminates the oven cavity
- Signature blue indicator lighting

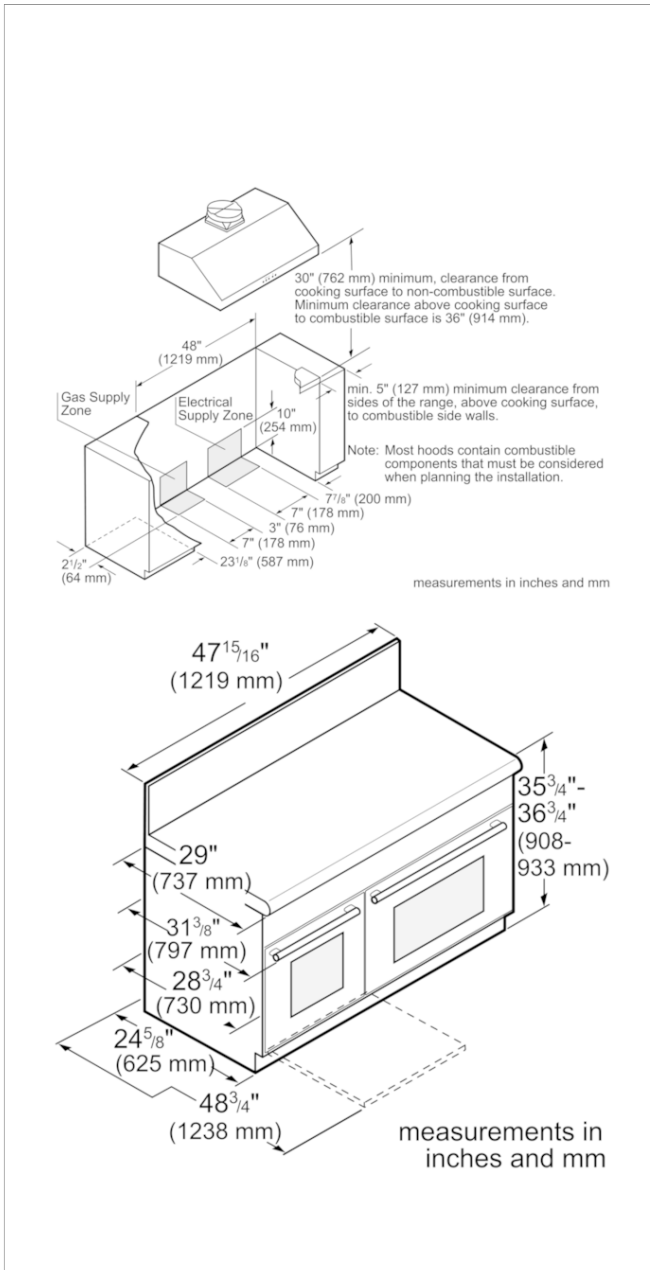
**Optional accessories**

PA12CHPBLK 12" Professional Chopping Block Acc  
PA12LCVRN 12" Professional Grill Cover Accessory  
PA48JLBG 48" Low Backguard for Pro Grand Ranges  
PA48JTKG 48" Toe Kick for Pro Grand Ranges  
PABRICKBKN Bk Briquettes and Basket for Pro Grill  
PAGRIDDLE Professional Griddle Accessory  
PAGRIDDLEN Pro Griddle Accessory for Grill Module  
PAKNOBLUNG Blue Knob Kit for Pro Grand Ranges

**Included accessories**

1 x nozzle set for liquid gas, 1 x temperature sensor, 1 x telescopic

**Dual Fuel Freestanding Range  
 PRD486NLGC**



**Product Features**

- Construction type:** Freestanding
- Product color:** Stainless steel
- Power cord length (cm):** 137
- Net weight (kg):** 245.764
- Gross weight (kg):** 250.0

**Consumption and connection features**

- Energy efficiency class (2010/30/EC):**
- Energy consumption per cycle conventional (2010/30/EC):**
- Energy consumption gas oven per cycle conventional (2010/30/EC):**
- Energy consumption per cycle forced air convection (2010/30/EC):**
- Energy consumption gas oven per cycle forced air convection (2010/30/EC):**
- Energy efficiency index (2010/30/EC):**
- Watts (W):**
- Current (A):** 50
- Volts (V):** 240/208
- Frequency (Hz):** 60
- Connecting cable type:**
- Plug type:** 240V-4 prong

2019-11-23