

Dual Fuel Freestanding Range
PRD486JDGC



PRD486JDGC

INNOVATION

- Patented Pedestal Star® Burner with QuickClean Base® designed for easy surface cleaning and superior heat spread for any size pan
- Powerful 22,000 BTU (NG) burner (front right)
- Precision simmering capabilities as low as 100°F (375 BTU) with 4 ExtraLow® Simmer burners
- SoftClose® hinges for ultra smooth closing of the oven door
- Cleans both ovens simultaneously in just 2 hours

PERFORMANCE

- 18,000 BTU (NG) Star® Burners
- Titanium surface non-stick, rust-proof cast-aluminum griddle, removable for easy clean-up
- Electronic oven display interfaces to cook timer, CookControl™ meat probe and preheat status with audible alert
- Full featured small oven with convection, broil, self clean and CookControl™ meat probe
- Powerful, 8-pass bake and broil elements in large oven and 6-pass elements in small oven
- Third Element Convection offers precise airflow for cooking on multiple levels without flavor transfer
- Large oven 5.7 cu.ft.-accommodates commercial sheet pan plus 2.5 cu.ft. in small oven
- Full Access® telescopic rack, with integrated easy-grip handle
- Six rack levels in each oven for multiple item cooking
- Star-K Kosher certified

DESIGN

- Bold Professional design
- Pinhole and panel lighting concepts provide functional and stylish aesthetics
- Restaurant style metal knobs
- Professional style, continuous cast iron grates
- Continuous porcelain, easy to clean cooking surface
- Hidden bake element makes clean-up one smooth surface
- Large oven door window for maximum viewing
- Powerful halogen lighting illuminates the oven cavity
- Signature blue indicator lighting

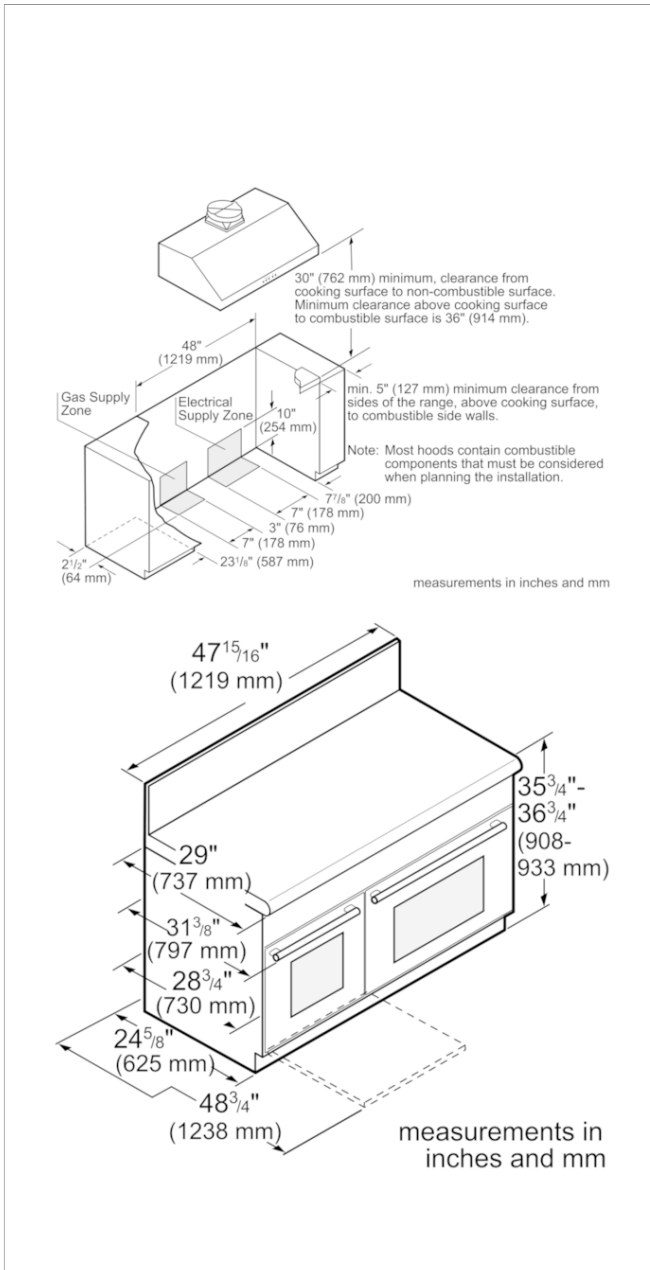
Optional accessories

- PA12CHPBLK 12" Professional Chopping Block Acc
- PA12CVRJ 12" Professional Griddle Cover Accessory
- PA12GRILLN 12"Grill Plate, Fusion Coating
- PA48JLBG 48" Low Backguard for Pro Grand Ranges
- PA48JTKG 48" Toe Kick for Pro Grand Ranges
- PAGRIDDLE Professional Griddle Accessory

Included accessories

- 1 x nozzle set for liquid gas, 2 x temperature sensor, 2 x telescopic rack - small, 3 x telescopic rack, 1 x grill plate, 1 x Broiler pan, 1 x

**Dual Fuel Freestanding Range
PRD486JDGC**



Product Features

- Construction type:** Freestanding
- Product color:** Stainless steel
- Power cord length (cm):** 137
- Net weight (kg):** 245.768
- Gross weight (kg):** 250.0

Consumption and connection features

- Energy efficiency class (2010/30/EC):**
- Energy consumption per cycle conventional (2010/30/EC):**
- Energy consumption gas oven per cycle conventional (2010/30/EC):**
- Energy consumption per cycle forced air convection (2010/30/EC):**
- Energy consumption gas oven per cycle forced air convection (2010/30/EC):**
- Energy efficiency index (2010/30/EC):**
- Watts (W):** 40580
- Current (A):** 50
- Volts (V):** 240/208
- Frequency (Hz):** 60
- Connecting cable type:**
- Plug type:** 240V-4 prong

2019-11-23