

Dual Fuel Freestanding Range  
PRD486GDHC



**PRD486GDHC**

**Design**

- Truly Flush Mounted™, 24" standard cabinet depth
- Patented Pedestal Star® Burner with QuickClean Base®
- Continuous porcelain, easy to clean cooking surface

**Performance**

- Exclusive, patented Star® Burner – most even heating, unsurpassed flame coverage
- Every burner 18,000 BTU (NG)
- Precision simmering capabilities as low as 100°F (375 BTU) with 2 ExtraLow® Simmer burners
- Widest range of simmer options from 375 BTU to 3,000 BTU
- Superior griddle results-6 pass, 1630 watt electric griddle
- Grill accessory-thermostatically controlled for even heating
- Powerful, 8-pass bake and broil elements
- Powerful, 6-pass bake and broil elements in small oven
- Third Element Convection offers precise airflow for cooking on multiple levels without flavor transfer
- Cleans both ovens simultaneously in just 2 hours

**Capacity**

- Massive oven capacity of 4.4 cu.ft. plus 2.2 cu.ft. in small oven
- Six rack levels for multiple item cooking

**Convenience**

- Full Access® telescopic rack, with integrated easy-grip handle
- Star® design delivers superior heat spread for any size pan
- Simmer without stirring/scorching with exclusive ExtraLow®
- QuickClean Base® designed for easy surface cleaning
- Titanium surface non-stick, rust-proof cast-aluminum griddle
- Titanium surface non-stick, rust-proof cast-aluminum grill accessory
- Removable griddle and grill accessory for easy clean-up
- Electronic oven control ensures precise heating
- Sabbath mode

**Optional accessories**

PA12CHPBLK 12" Professional Chopping Block Acc

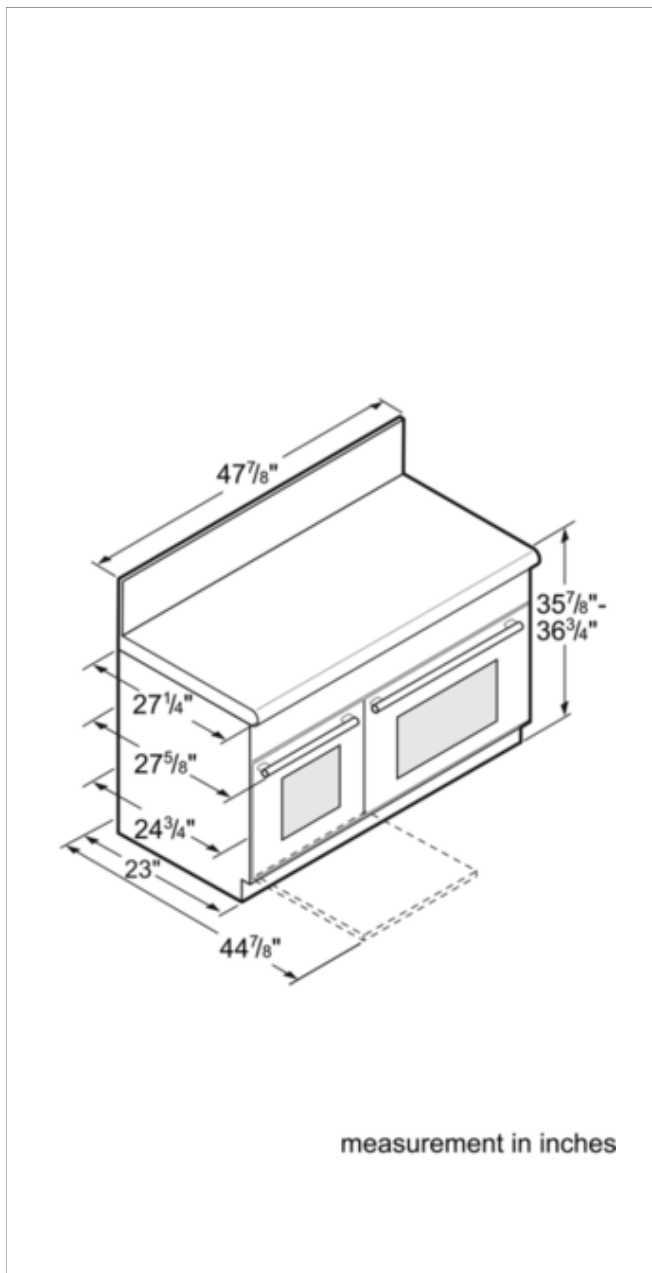
PA12GRILLN 12"Grill Plate, Fusion Coating

**Included accessories**

1 x Broiler pan, 1 x broiler pan small, 1 x island trim

**825225881339**

**Dual Fuel Freestanding Range  
PRD486GDHC**



**Product Features**

**Construction type:** Freestanding

**Product color:** Stainless steel

**Power cord length (cm):** 91

**Net weight (kg):** 249.722

**Gross weight (kg):** 254.0

**Consumption and connection features**

**Energy efficiency class (2010/30/EC):**

**Energy consumption per cycle conventional (2010/30/EC):**

**Energy consumption gas oven per cycle conventional (2010/30/EC):**

**Energy consumption per cycle forced air convection (2010/30/EC):**

**Energy consumption gas oven per cycle forced air convection (2010/30/EC):**

**Energy efficiency index (2010/30/EC):**

**Watts (W):** 12350

**Current (A):** 50

**Volts (V):** 240/208

**Frequency (Hz):** 60

**Connecting cable type:**

**Plug type:** 240V-4 prong

**2019-11-23**