

Dual Fuel Freestanding Range
PRD484NCGC



PRD484NCGC

INNOVATION

- Patented Pedestal Star® Burner with QuickClean Base® designed for easy surface cleaning and superior heat spread for any size pan
- Powerful 22,000 BTU (NG) burner (front right)
- Precision simmering capabilities as low as 100°F (375 BTU) with 4 ExtraLow® Simmer burners
- SoftClose® hinges for ultra smooth closing of both ovens and the warming drawer.
- Glass surface warming drawer

PERFORMANCE

- 18,000 BTU (NG) Star® Burners
- Superior grilling results, 2000 watt electric grill
- Fusion coating surface non-stick, non-PTFE, rust-proof cast-aluminum removable griddle
- Grill accessory-thermostatically controlled for even heating
- 1.4 cu.ft. steam cavity easily accommodates a 14lb. Turkey
- Large oven 5.7 cu.ft.-accommodates commercial sheet pan plus 2.5 cu.ft. in small oven
- Steam cavity is non-plumbed, for easy installation into any home
- Steam Clean function helps keep the steam oven spotless
- Electronic oven display interfaces to cook timer, CookControl™ meat probe and preheat status with audible alert
- Third Element Convection offers precise airflow for cooking on multiple levels without flavor transfer
- Powerful, 4000 Watt 8-pass broil elements in large oven
- Full Access® telescopic rack, with integrated easy-grip handle
- Spacious 1.1 cu. ft. warming drawer holds up to ten 11" dinner plates
- Drawer has open sides for easy and convenient access
- Star-K Kosher certified

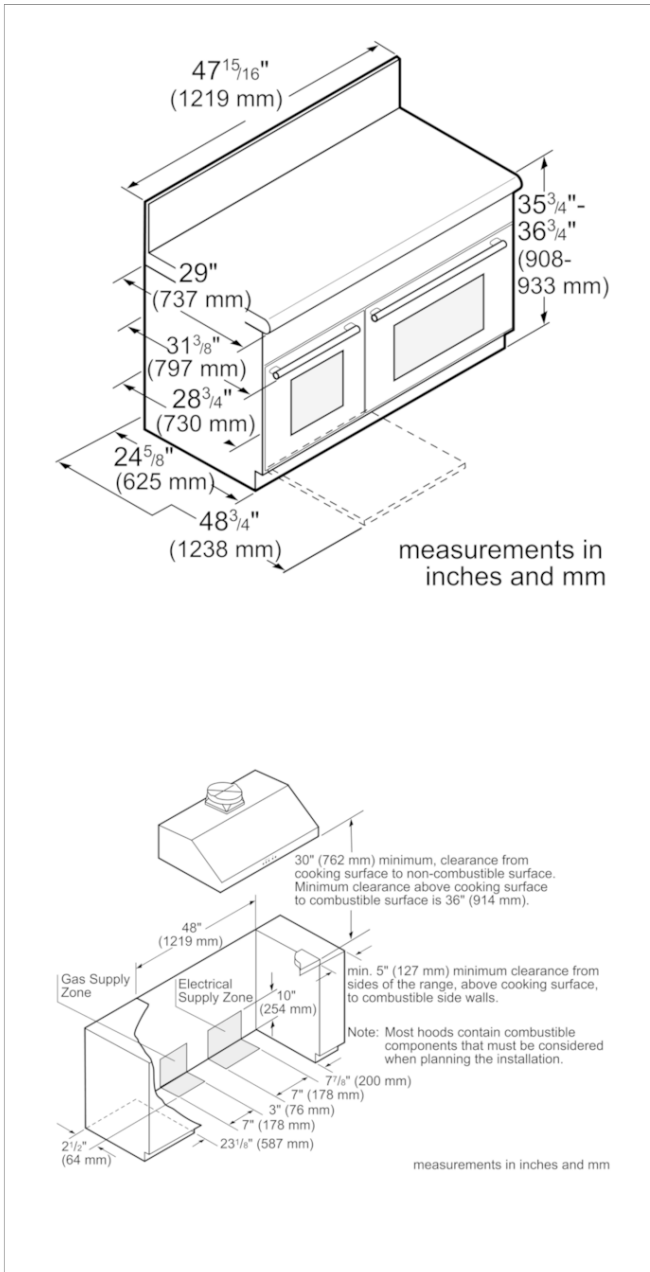
DESIGN

- Distinctive three door design showcases Thermador's self-assured bold and elegant design
- Pinhole and panel lighting concepts provide functional and stylish aesthetics
- Professional style, continuous cast iron grates
- Continuous porcelain, easy to clean cooking surface
- Hidden bake element makes clean-up one smooth surface
- Large oven door window for maximum viewing

Optional accessories

PA12CHPBLK 12" Professional Chopping Block Acc
PA12LCVRN 12" Professional Grill Cover Accessory
PA48JLBG 48" Low Backguard for Pro Grand Ranges
PA48JTKG 48" Toe Kick for Pro Grand Ranges
PABRICKBKN Bk Briquettes and Basket for Pro Grill
PAGRIDDLE Professional Griddle Accessory

**Dual Fuel Freestanding Range
PRD484NCGC**



Product Features

- Construction type:** Freestanding
- Product color:** Stainless steel
- Power cord length (cm):** 137
- Net weight (kg):** 245.768
- Gross weight (kg):** 250.0

Consumption and connection features

- Energy efficiency class (2010/30/EC):**
- Energy consumption per cycle conventional (2010/30/EC):**
- Energy consumption gas oven per cycle conventional (2010/30/EC):**
- Energy consumption per cycle forced air convection (2010/30/EC):**
- Energy consumption gas oven per cycle forced air convection (2010/30/EC):**
- Energy efficiency index (2010/30/EC):**
- Watts (W):**
- Current (A):** 50
- Volts (V):** 240/208
- Frequency (Hz):** 60
- Connecting cable type:**
- Plug type:** 240V-4 prong

2019-11-23