

Dual Fuel Freestanding Range, Stainless steel
PRD364JDGC



PRD364JDGC

INNOVATION

- Patented Pedestal Star® Burner with QuickClean Base® designed for easy surface cleaning and superior heat spread for any size pan
- Powerful 22,000 BTU (NG) burner (front right)
- Precision simmering capabilities as low as 100°F (375 BTU) with 4 ExtraLow® Simmer burners
- SoftClose® hinges for ultra smooth closing of the oven door
- Superfast 2-hour self-clean mode - fastest in the industry

PERFORMANCE

- 18,000 BTU (NG) Star® Burners
- Titanium surface non-stick, rust-proof cast-aluminum griddle, removable for easy clean-up
- Electronic oven display interfaces to cook timer, CookControl™ meat probe and preheat status with audible alert
- Powerful, 8-pass bake and broil elements
- Third Element Convection offers precise airflow for cooking on multiple levels without flavor transfer
- Large oven 5.7 cu.ft.-accommodates commercial sheet pan
- Full Access® telescopic rack, with integrated easy-grip handle
- Six rack levels for multiple item cooking
- Star-K Kosher certified

DESIGN

- Bold Professional design
- Pinhole and panel lighting concepts provide functional and stylish aesthetics
- Restaurant style metal knobs
- Professional style, continuous cast iron grates
- Continuous porcelain, easy to clean cooking surface
- Large oven door window for maximum viewing
- Powerful halogen lighting illuminates the oven cavity
- Hidden bake element makes clean-up one smooth surface
- Signature blue indicator lighting

Optional accessories

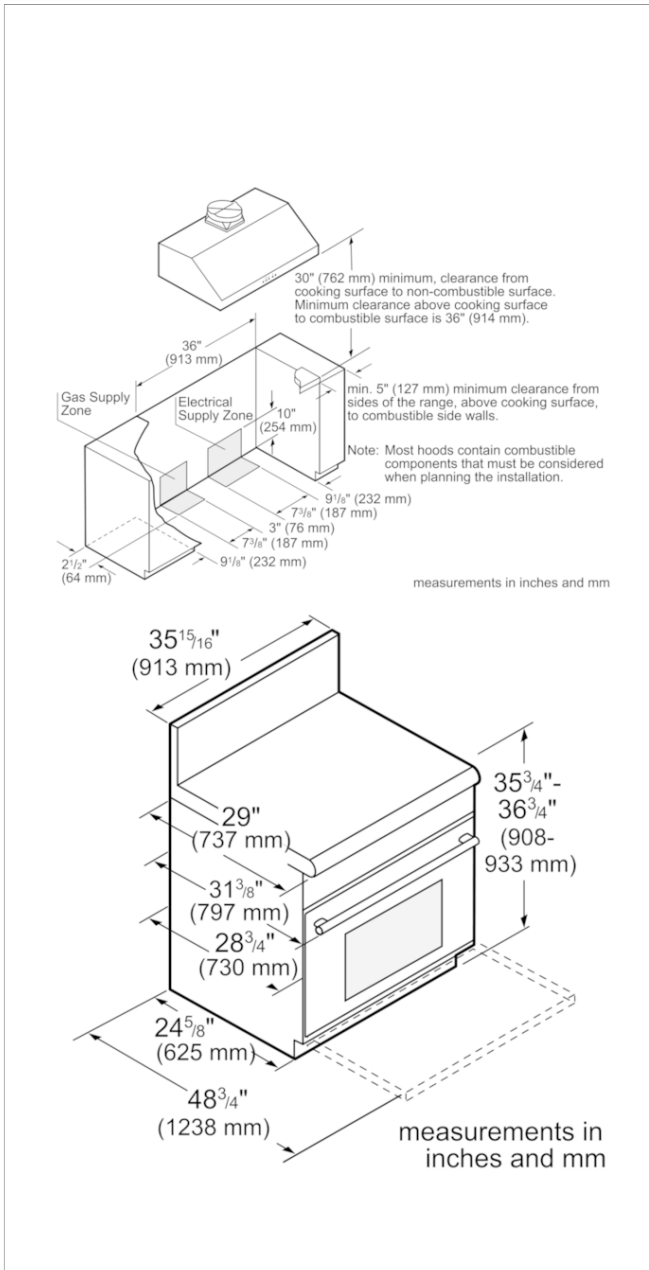
- PA12CHPBLK 12" Professional Chopping Block Acc**
- PA12CVRJ 12" Professional Griddle Cover Accessory**
- PA12GRILLN 12"Grill Plate, Fusion Coating**
- PA36JLBG 36" Low Backguard for Pro Grand Ranges**
- PA36JTKG 36" Toe Kick for Pro Grand Ranges**
- PAGRIDDLE Professional Griddle Accessory**

Included accessories

- 1 x nozzle set for liquid gas, 1 x temperature sensor, 3 x telescopic rack, 1 x grill plate, 1 x Broiler pan, 1 x island trim**

825225899532

**Dual Fuel Freestanding Range, Stainless steel
PRD364JDGC**



Product Features

- Total number of cooktop burners: 4**
- Cooking mode: Centre-area grill/broiler, Convection Bake, Selfcleaning pyrolytic, Small hot air grill, Top/bottom heat, Warming**
- Integrated Cleaning system: Self Clean**
- Type of control: Electronic**
- Knob Material: Full metal**
- Included accessories: 1 x nozzle set for liquid gas, 1 x temperature sensor, 3 x telescopic rack, 1 x grill plate, 1 x Broiler pan, 1 x island trim**
- Sealed Burners: Yes**
- Number of Double grates: 2**
- Bake Element Wattages cavity 1 (W): 2000**
- Broil Element Wattages cavity 1 (W): 4000**
- Convection Element Wattages cavity 1 (W): 2750**
- Number of gas burners: 4**
- Location of 1st heating element: front left**
- Location of 2nd heating element: center left**
- Location of 3rd heating element: back left**
- Power of 3rd burner (BTU): 18000**
- Location of 4th heating element: middle back**
- Location of 5th heating element: back right**
- Power of 5th burner (BTU): 18000**
- Location of 6th heating element: center right**
- Power of griddle element: 1630**
- Safety device: automatic reignition, Overheating protection, Safety valve, Thermostat**

Consumption and connection features

- UPC code: 825225899532**
- Product color:**
- Gas type: Natural gas 15 mbar (USA)**
- Alternative gas type: Liquid gas 27,5 mbar (USA)**
- Natural Gas Connection Rating (BTU): 76000**
- Watts (W): 8500**
- Current (A): 40**
- Volts (V): 240/208**
- Frequency (Hz): 60**
- Approval certificates: CSA**
- Required cutout size (HxWxD) (in): 36" width slide-in**
- Overall appliance dimensions (HxWxD) (in): 35 7/8" x 35 15/16" x 28 7/8"**
- Variable cooker height (in): 7/8"**
- AHAM volume (of cavity) - cavity 1: 4**
- Product packaging dimensions (HxWxD) (in): 45" x 40" x 36"**
- Net weight (lbs): 395**
- Gross weight (lbs): 408**

2019-11-23