

Dual Fuel Freestanding Range  
PRD364GDHC



**PRD364GDHC**

**Design**

- Bold Professional design
- Truly Flush Mounted™, 24" standard cabinet depth
- Patented Pedestal Star® Burner with QuickClean Base®
- Restaurant style metal knobs
- Professional style, continuous cast iron grates
- Continuous porcelain, easy to clean cooking surface

**Performance**

- Exclusive, patented Star® Burner – most even heating, unsurpassed flame coverage
- Every burner 18,000 BTU (NG)
- Precision simmering capabilities as low as 100°F (375 BTU) with 2 ExtraLow® Simmer burners
- Widest range of simmer options from 375 BTU to 3,000 BTU
- Superior griddle results-6 pass, 1630 watt electric griddle
- Grill accessory-thermostatically controlled for even heating
- Powerful, 8-pass bake and broil elements
- Third Element Convection offers precise airflow for cooking on multiple levels without flavor transfer
- Superfast 2-hour self-clean mode - fastest in the industry

**Capacity**

- Massive oven capacity of 5 cu.ft.
- Six rack levels for multiple item cooking

**Convenience**

- Full Access® telescopic rack, with integrated easy-grip handle
- Star® design delivers superior heat spread for any size pan
- Simmer without stirring/scorching with exclusive ExtraLow®
- QuickClean Base® designed for easy surface cleaning
- Titanium surface non-stick, rust-proof cast-aluminum griddle
- Titanium surface non-stick, rust-proof cast-aluminum grill accessory
- Removable griddle and grill accessory for easy clean-up
- Electronic oven control ensures precise heating
- Signature blue indicator lighting
- Large oven door window for maximum viewing
- Powerful halogen lighting illuminates the oven cavity
- Sabbath mode

**Optional accessories**

PA12CHPBLK 12" Professional Chopping Block Acc

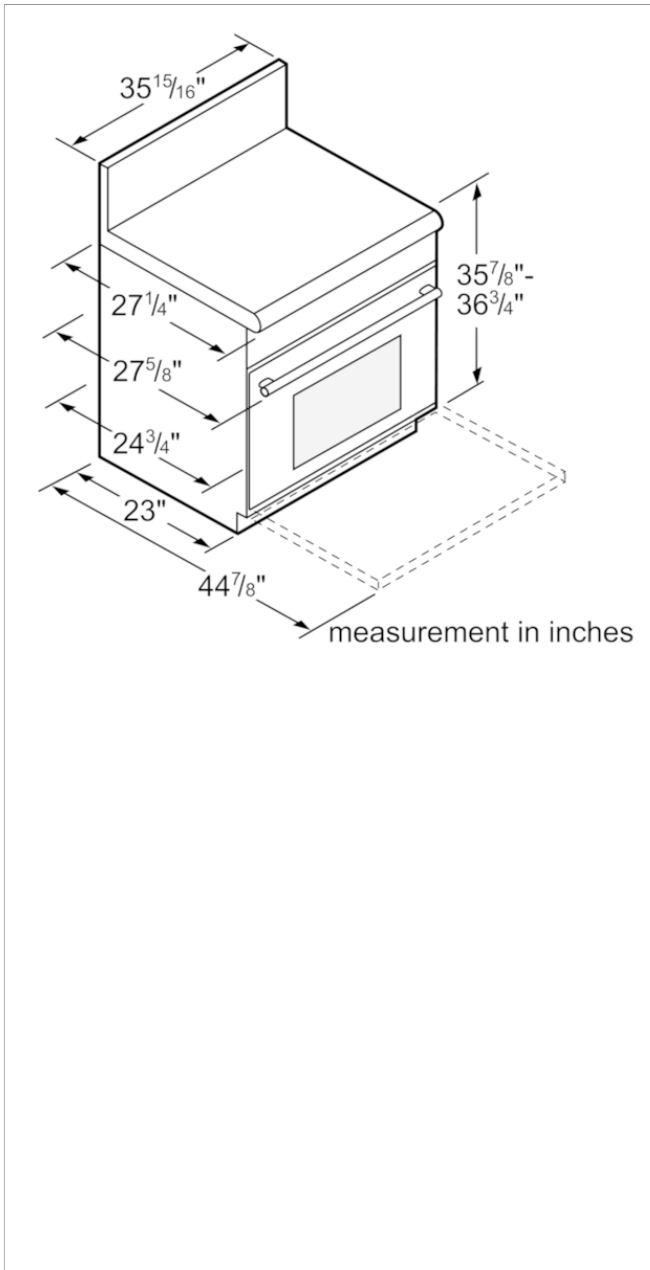
PA12GRILLN 12"Grill Plate, Fusion Coating

**Included accessories**

1 x Broiler pan, 1 x island trim

825225881223

**Dual Fuel Freestanding Range  
 PRD364GDHC**



**Product Features**

**Total number of cooktop burners: 4**  
**Cooking mode: Convection Bake, Half width variable grill, Selfcleaning pyrolytic, Small hot air grill, Top/bottom heat**  
**Integrated Cleaning system: Self Clean**  
**Type of control: Electronic**  
**Knob Material: Full metal**  
**Included accessories: 1 x Broiler pan, 1 x island trim**  
**Sealed Burners: Yes**  
**Number of Double grates: 2**  
**Bake Element Wattages cavity 1 (W): 2000**  
**Broil Element Wattages cavity 1 (W): 4000**  
**Convection Element Wattages cavity 1 (W): 2750**  
**Number of gas burners: 4**  
**Location of 1st heating element: front left**  
**Location of 2nd heating element: center left**  
**Location of 3rd heating element: back left**  
**Power of 3rd burner (BTU): 18000**  
**Location of 4th heating element: middle back**  
**Location of 5th heating element: back right**  
**Power of 5th burner (BTU): 18000**  
**Location of 6th heating element: center right**  
**Power of griddle element: 1630**  
**Safety device: automatic reignition, Overheating protection, Thermostat**

**Consumption and connection features**

**UPC code: 825225881223**  
**Product color:**  
**Gas type: Natural gas 15 mbar (USA)**  
**Alternative gas type: Liquid gas 27,5 mbar (USA)**  
**Natural Gas Connection Rating (BTU): 72000**  
**Watts (W): 8350**  
**Current (A): 40**  
**Volts (V): 240/208**  
**Frequency (Hz): 60**  
**Approval certificates: CSA**  
**Required cutout size (HxWxD) (in): 36" width slide-in**  
**Overall appliance dimensions (HxWxD) (in): 35 7/8" x 35 15/16" x 24 3/4"**  
**Variable cooker height (in): 7/8"**  
**AHAM volume (of cavity) - cavity 1: 4**  
**Product packaging dimensions (HxWxD) (in): 49 3/4" x 42 1/4" x 36 3/4"**  
**Net weight (lbs): 382**  
**Gross weight (lbs): 395**

**2019-11-23**