

Dual Fuel Freestanding Range
PRD304GHC



PRD304GHC

Design

- Bold Professional design
- Truly Flush Mounted™, 24" standard cabinet depth
- Patented Pedestal Star® Burner with QuickClean Base®
- Restaurant style metal knobs
- Professional style, continuous cast iron grates
- Continuous porcelain, easy to clean cooking surface

Performance

- Exclusive, patented Star® Burner – most even heating, unsurpassed flame coverage
- Every burner 18,000 BTU (NG)
- Precision simmering capabilities as low as 100°F (375 BTU) with 2 ExtraLow® Simmer burners
- Widest range of simmer options from 375 BTU to 3,000 BTU
- Powerful, 8-pass bake and broil elements
- Third Element Convection offers precise airflow for cooking on multiple levels without flavor transfer
- Superfast 2-hour self-clean mode - fastest in the industry

Capacity

- Massive oven capacity of 4.4 cu.ft.
- Six rack levels for multiple item cooking

Convenience

- Star® design delivers superior heat spread for any size pan
- Simmer without stirring/scorching with exclusive ExtraLow®
- QuickClean Base® designed for easy surface cleaning
- Electronic oven control ensures precise heating
- Signature blue indicator lighting
- Large oven door window for maximum viewing
- Powerful halogen lighting illuminates the oven cavity
- Sabbath mode
- 30" units ship standard with island trim included
- One Full Access® telescopic rack and two standard racks, all with integrated easy-grip handle

Optional accessories

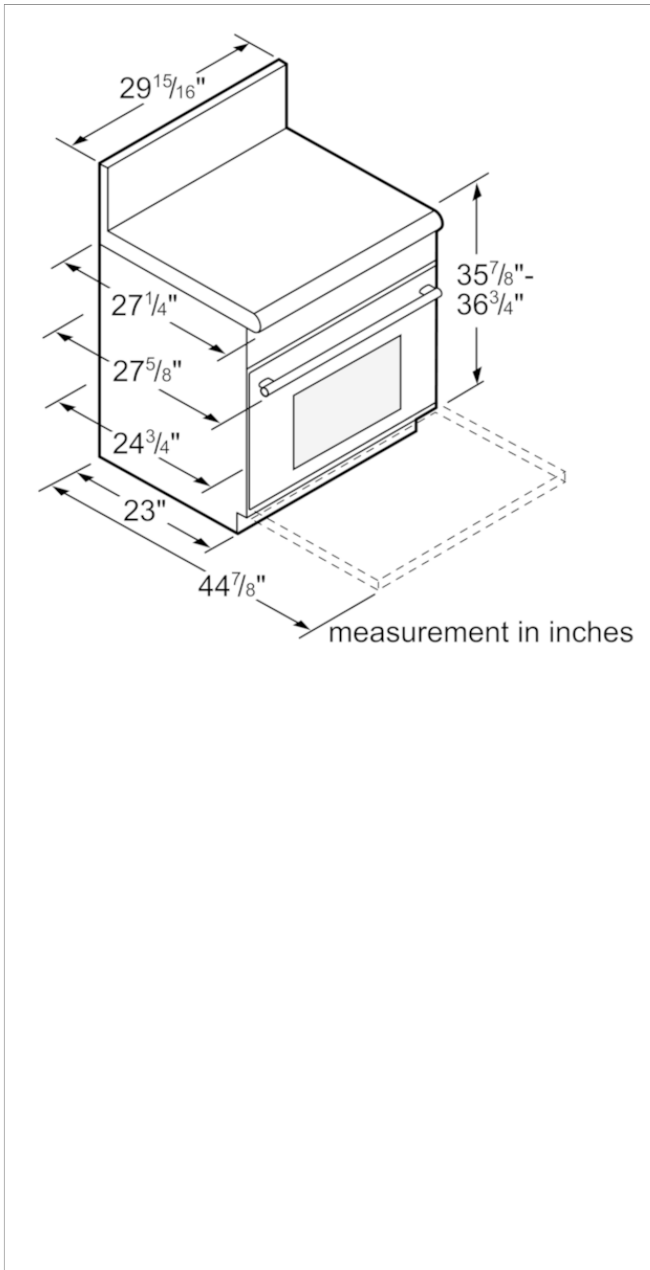
PA12CHPBLK 12" Professional Chopping Block Acc
PAGRIDDLE Professional Griddle Accessory

Included accessories

1 x Broiler pan, 1 x low back guard

825225881209

**Dual Fuel Freestanding Range
 PRD304GHC**



Product Features

- Total number of cooktop burners: 4**
- Cooking mode: Convection Bake, Half width variable grill, Selfcleaning pyrolytic, Small hot air grill, Top/bottom heat**
- Integrated Cleaning system: Self Clean**
- Type of control: Electronic**
- Knob Material: Full metal**
- Included accessories: 1 x Broiler pan, 1 x low back guard**
- Sealed Burners: Yes**
- Number of Double grates: 3**
- Bake Element Wattages cavity 1 (W): 2000**
- Broil Element Wattages cavity 1 (W): 4000**
- Convection Element Wattages cavity 1 (W): 2750**
- Number of gas burners: 4**
- Location of 1st heating element: front left**
- Location of 2nd heating element: center left**
- Location of 3rd heating element: back left**
- Power of 3rd burner (BTU): 18000**
- Location of 4th heating element: middle back**
- Location of 5th heating element: back right**
- Power of 5th burner (BTU): 18000**
- Location of 6th heating element: center right**
- Safety device: automatic reignition, Overheating protection, Thermostat**

Consumption and connection features

- UPC code: 825225881209**
- Product color:**
- Gas type: Natural gas 15 mbar (USA)**
- Alternative gas type: Liquid gas 27,5 mbar (USA)**
- Natural Gas Connection Rating (BTU): 72000**
- Watts (W): 6750**
- Current (A): 35**
- Volts (V): 240/208**
- Frequency (Hz): 60**
- Approval certificates: CSA**
- Required cutout size (HxWxD) (in): 30" width slide-in**
- Overall appliance dimensions (HxWxD) (in): 35 7/8" x 29 15/16" x 24 3/4"**
- Variable cooker height (in): 7/8"**
- AHAM volume (of cavity) - cavity 1: 3**
- Product packaging dimensions (HxWxD) (in): 49 3/4" x 42 1/4" x 36 3/4"**
- Net weight (lbs): 364**
- Gross weight (lbs): 377**

2019-11-23