

iQ700, Built-in fridge-freezer with freezer at bottom KI34NP60AU



coolConcept premium built-in fridge freezer with noFrost technology for no more defrosting, touchControl temperature control and softClosing door.

- ✓ noFrost technology prevents icing and frosting so you never have to defrost again.
- ✓ Control all functions easily and precisely with just a soft touch, using touchControl electronics.
- ✓ SoftClosing Door: door closes automatically and softly when it is open at a 20° angle or less.
- ✓ The fruit and vegetables stay crispy in the drawer with wavy bottom.
- ✓ Even when fully loaded, the height of the easyLift glass shelf bin can be easily adjusted.
- ✓ Even when fully loaded, the height of the easyLift door bin can be easily adjusted.

Features

Technical Data

Built-in / Free-standing : Built-in
 Door panel options : Not possible
 Height (mm) : 1772
 Width of the product (mm) : 556
 Depth of the product : 545
 Required niche size for installation (HxWxD) : 1775.0 x 560 x 550
 Net weight (kg) : 74.030
 Connection Rating (W) : 120
 Current (A) : 10
 Door hinge : Right reversible
 Voltage (V) : 220-240
 Frequency (Hz) : 50
 Approval certificates : CE, VDE
 Length electrical supply cord (cm) : 190
 Energy efficiency class : X
 Refrigerator Net capacity (l) : 189
 Freezer Net capacity (l) : 75
 Freezing capacity (kg) : 15
 Storage Period in Event of Power Failure (h) : 16
 Number of compressors : 1
 Number of independent cooling systems : 2
 Interior ventilator : Yes
 Reversible Door Hinge : Yes
 Number of Adjustable Shelves in fridge compartment : 3
 Shelves for Bottles : Yes
 EAN code : 4242003681039
 Brand : Siemens
 Product name / Commercial code : KI34NP60AU
 Freezer Net capacity (l) : 0
 Frost free system : Freezer
 Temperature rise time (h) : 16
 Freezing capacity (kg/24h) : 0
 Climate class : SN-T
 Noise level (dB) : 39
 Installation typology : Full-integrated

Included accessories

- 2 x cold accumulator
- 2 x egg tray
- 1 x ice cube tray



4 242003 681039

iQ700, Built-in fridge-freezer with freezer at bottom KI34NP60AU

Features

Design

- Fully integrated
- Right hinged door, Reversible door hinging
- Electronic operated by TouchControl
- Electronic temperature control with independent controls for fridge and freezer
- Soft closing door with insulation
- LED interior light in fridge section

Comfort

- noFrost - never again defrosting!
- superCool function - Automatically brings down the temperature of the refrigerator to cool new groceries rapidly
- superFreeze function - Automatically brings down the temperature of the freezer to cool new items rapidly
- Freezing capacity: 15 kg in 24 hours

Shelving and Compartments

- 4 door bins: 1 extra deep with divider and 3 with easyLift
- 3 transparent freezer drawers, incl.1
- 2 full extension storage trays
- 3 height adjustable safety glass shelves: 1x Excenter Shelf
- 1 Divider Box
- Vegetable container ribbed wavy bottom and humid control on full extendend telescopic rails
- Variable egg tray

Safety & Hygiene

- 3-fold Security System
- Acoustic door open alarm
- Multialarmsystem

Performance and Consumption

- 3 Star Rating rating and Energy consumption of 330 kwh per annum

Technical Information

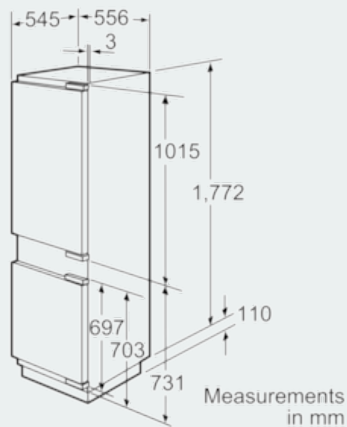
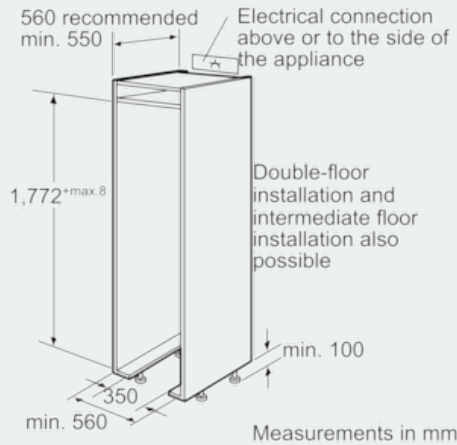
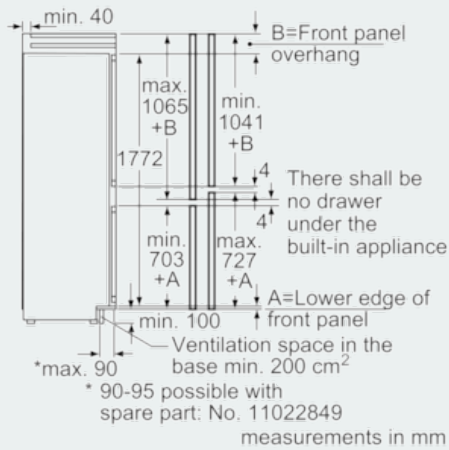
- Reversible door hinging
- Dimensions (H x W x D): 1,772 mm x 556 mm x 545 mm
- Cut-out Dimension (H x W x D): 1,775 mm x 560 mm x 550 mm
- Cabinet depth (inc spacer): 635mm
- 287 litres total gross volume
- Voltage 220 - 240 V

Accessories

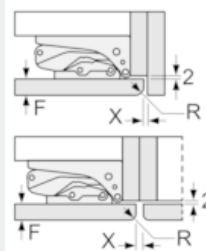
- 2 x cold accumulator, 2 x egg tray, 1 x ice cube tray

**iQ700, Built-in fridge-freezer with freezer at bottom
KI34NP60AU**

Dimensioned drawings



measurements in mm
Recommended gap dimensions for flat hinges



F	R	X
16-19	0-3	2.5
20	0-1	3
	2-3	2.5
21	0-1	3
	2-3	2.5
22	0	4
	1	3.5
	2-3	3

The gap dimensions recommended in the table must be adhered to in order to ensure that appliance doors do not collide with anything when they are opened, and to avoid causing damage to kitchen units.