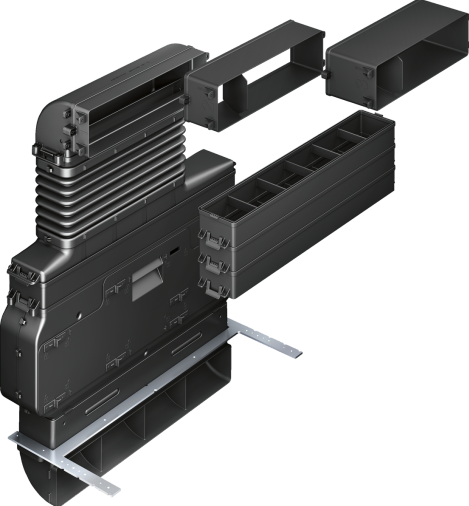


**Recirculation kit
HZ381501**



Dimensions of the packed product: 425 x 595 x 765 mm
Pallet dimensions: 185.0 x 80.0 x 120.0
Standard number of units per pallet: 8
Net weight: 11.2 kg
Gross weight: 11.2 kg
EAN code:4242003827703

