

iQ700, Oven with added steam, Stainless steel HR676G8S2A



The oven with an innovative pulseSteam function for optimum preparation of a variety of dishes.

- ✓ pulseSteam
- ✓ TFT Touchdisplay: user-friendly menu navigation with good display features.
- ✓ roastingSensor Plus: simply reliable roasting.
- ✓ activeClean: the automatic system for effortless cleaning.

Features

Technical Data

Color / Material Front : Stainless steel
 Built-in / Free-standing : Built-in
 Integrated Cleaning system : Pyrolytic
 Required niche size for installation (HxWxD) : 585-595 x 560-568 x 550
 Dimensions of the product (mm) : 595 x 594 x 548
 Dimensions of the packed product (HxWxD) (mm) : 670 x 680 x 670
 Control Panel Material : Stainless steel
 Door Material : Glass
 Net weight (kg) : 46.368
 Usable volume of cavity (l) : 71
 Cooking method : , 4D hot air, Bottom heat, Conventional heat, Deep-frozen food special, Full width grill, Half width grill, Hot Air-Eco, Hot air grilling, low temperature cooking, Pizza setting, pre-heating, warming
 First cavity material : Enamelled
 Temperature control : electronic
 Number of interior lights : 1
 Approval certificates : CE, VDE
 Length electrical supply cord (cm) : 120
 EAN code : 4242003740736
 Number of cavities (2010/30/EC) : 1
 Energy efficiency class (2010/30/EC) : A
 Energy consumption per cycle conventional (2010/30/EC) : 0.90
 Energy consumption per cycle forced air convection (2010/30/EC) : 0.74
 Energy efficiency index (2010/30/EC) : 87.1
 Connection Rating (W) : 3600
 Current (A) : 16
 Voltage (V) : 220-240
 Frequency (Hz) : 50; 60
 Plug type : no plug

Included accessories

- 1 x grill tray
- suit. pyrol. clean.
- 2 x combination grid
- 1 x universal pan

Optional accessories

- HZ636000 Glass pan
- HZ633070 Professional pan, anthracite enamelled
- HZ633001 Lid for professional pan, enamelled anth
- HZ632070 Multipurpose pan, anthracite enamelled
- HZ631070 Baking tray, anthracite enamelled
- HZ625071 Grill tray, anthracite enamelled
- HZ617000 Pizza pan, anthracite enamelled
- HZ327000 Baking stone



iQ700, Oven with added steam, Stainless steel HR676G8S2A

Features

Design

- Cavity volume: 71 net usable litres
- Outside cavity
- Rotary Control
- Anthracite enamel cavity with 5 shelf levels
- LED lighting
- SoftMove oven door with soft open and soft close, SoftOpen

Heating Functions

- Temperature range 30 °C - 300 °C
- Oven with 13 heating methods:
- 4D HotAir
- 4D HotAir Eco
- Top/ bottom heating
- Top/bottom heating Eco
- Hot air grilling
- Full width grill
- Half width grill
- Pizza setting
- coolStart (deep-frozen food special)
- Bottom heating
- Low temperature cooking
- Plate warming setting
- Warming
- Rapid heating-up
- Additional heating methods with steam: Reheating, Dough Proving

Convenience

- 3.7" TFT TouchDisplay
- Temperature proposal
- Actual temperature display
- Actual temperature display
- Sabbath setting
- Meals (automatic programs)
- roastingSensor with three measuring points
- Electronic clock and timer
- Large 1 litre water tank
- Water tank empty indicator
- Stainless-steel fan
- Info button
- Bar handle

Cleaning

- activeClean® – automatic self-cleaning function with automatic safety door lock
- Pyrolytic proof enamel trays
- Additional functions:
- Descaling program
- Drying function
- Full glass inner door

Hook-in racks / rails

- 3 level telescopic shelf rails, 3 level telescopic shelf rails full extension, safety stop function, pyrolytic proof

Safety and Environment

- Maximum door temperature 30° C
- Child lock for settings
- Residual heat indicator

- Automatic safety switch-off function
- Integrated cooling fan

Technical Info

- Appliance dimensions (HxWxD): 595 mm x 595 mm x 548 mm
- Installation dimensions (HxWxD): 585 mm - 595 mm x 560 mm - 568 mm x 550 mm
- Total connected load electric: 3.6 KW
- Length of mains cable: 120 cm
- Please reference the built-in dimensions provided in the installation drawing

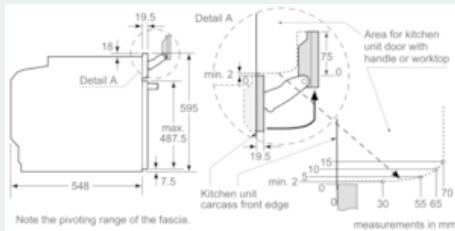
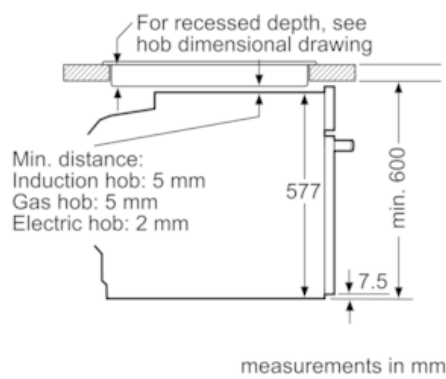
Accessories

- 2 x enamel baking tray, 2 x combination grid, 1 x universal pan

iQ700, Oven with added steam, Stainless steel HR676G8S2A

Dimensioned drawings

Installation with a hob.



If the appliance will be installed underneath a hob, the following worktop thicknesses (including substructure if necessary) must be taken into account.

Hob type	min. worktop thickness	
	fitted	flush
Induction hob	37 mm	38 mm
Full surface Induction hob	47 mm	48 mm
Gas hob	30 mm	38 mm
Electric hob	27 mm	30 mm

