

iQ700, Built-in oven with added steam and microwave function, 60 x 60 cm, Black HN878G4B6B



Shorten your cooking time thanks to varioSpeed, fast preheat and activeClean®.

- ✓ pulseSteam: for crispy crusts and juicy roasts.
- ✓ roastingSensor Plus – Three-point thermometer for excellent roasts every time.
- ✓ cookControl Plus – Select your dish, enter the weight and let your oven do the rest.
- ✓ varioSpeed – Prepare excellent dishes up to 50% faster.
- ✓ 4D hotAir – Even heat distribution for excellent results on up to four levels at once.

Type of micro-wave oven:	MW-Combi
Color / Material Front:	Black
Built-in / Free-standing:	Built-in
Colour.Material door:	Black
Cleaning :	Pyrolytic+Hydrolytic
Control Panel Material:	Glass
Dimensions (HxWxD):	595 x 594 x 548 mm
Dimensions of the packed product:	670 x 670 x 680 mm
Min. required niche size for installation (HxWxD):	585-595 x 560-568 x 550 mm
Cavity dimensions:	357.0 x 480 x 392.0 mm
Cavity capacity:	67 l
Max. microwave power:	800 W
Number of interior lights:	3
Net weight:	49.2 kg
Gross weight:	52.4 kg
EAN code:	4242003789858
Power supply:	3600 W
Fuse protection:	16 A
Voltage:	220-240 V
Frequency:	60; 50 Hz
Length electrical supply cord:	120.0 cm



HZ327000 Baking stone, HZ531010 Baking tray, non-stick ceramic coated, HZ532010 Universal pan, non-stick ceramic coated, HZ617000 Pizza pan, enamelled, HZ625071 Grill tray, enamelled, HZ631070 Baking tray, enamelled, HZ632070 Multipurpose pan, enamelled, HZ633001 Lid for professional pan, enamelled, HZ633070 Professional pan, enamelled, HZ634080 Baking and roasting grid (microwave), HZ636000 Glass pan, HZ664000 Baking and roasting grid (steam), HZ66X650 Cover Strip, HZ6BMA00 Assembly kit for vertical installation, HZ915003 Glass roasting dish, 5,4 L

iQ700, Built-in oven with added steam and microwave function, 60 x 60 cm, Black HN878G4B6B

Heating Functions

- Oven with microwave with 15 heating methods:
- 4D hotAir, Drying, Full width grill, 4D HotAir Eco, Intensive heat, Half width grill, Top/ bottom heating, Top/bottom heating Eco, Pizza setting, Low temperature cooking, coolStart (deep-frozen food special), Bottom heating, Hot air grilling, Plate warming setting, Keep Warm
- Additional heating methods with steam: Reheating, Dough Proving
- Additional heating methods with microwave: Pure microwave, Combination microwave and conventional oven
- Intelligent inverter technology: maximum output power will be regulated to 600 W when used in longer operation
- Temperature range 30 °C - 300 °C
- Cavity volume: 67 net usable litres

Hook-in racks / rails

- Number of shelf levels: 5
- 1 level telescopic shelf, pyrolytic proof

Design

- studioLine Black Steel Design
- Rotary Control
- Cavity inner surface: enamel

Cleaning

- activeClean® – automatic pyrolytic self-cleaning function with automatic safety door lock

Convenience

- 5.7" TFT touchDisplay Plus
- Electronic clock and timer
- Temperature proposal, Residual heat indicator, Actual temperature display, Meat probe function
- Drop down door
- cookControl Pro (Meals)
- roastingSensor with three measuring points, bakingSensor
- Automatic rapid heat up
- coolStart - eliminates preheating for frozen foods
- LED light, Multi-level LED lighting
- Water tank empty indicator
- Location of the steam generator is outside of the cavity
- Integrated cooling fan
- HomeConnect

Accessories

- 2 x combination grid, 1 x universal pan

Safety and Environment

- Maximum door temperature 30° C
- Quadruple glazed door with heat reflective glass
- Automatic door lock during pyrolysis, Child lock , Automatic safety switch-off function, Residual heat indicator, Start button, Door

contact switch

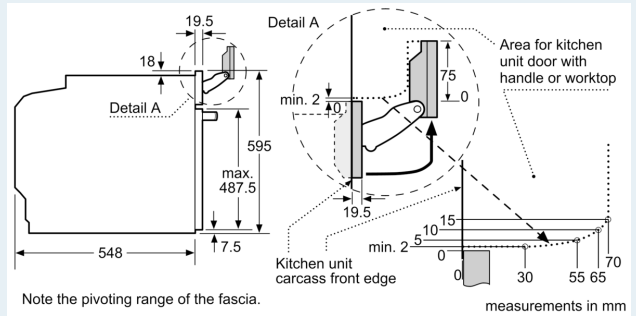
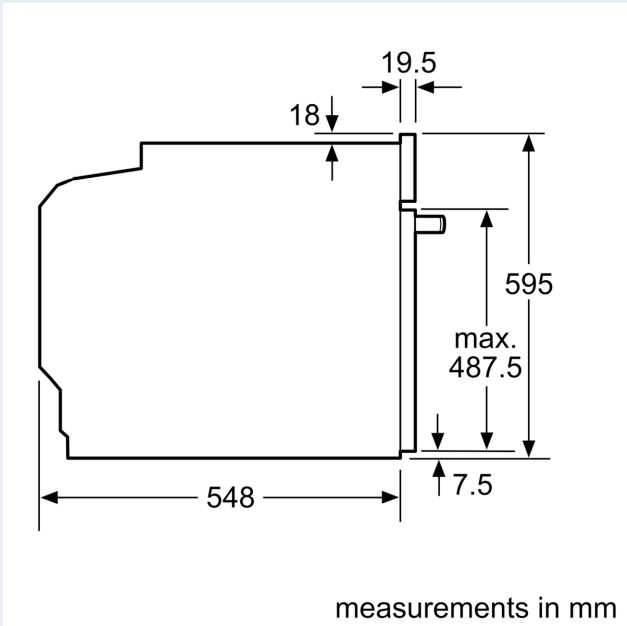
Technical Info

- Length of mains cable: 120 cm
- Nominal voltage: 220 - 240 V
- Total connected load electric: 3.6 KW

Dimensions

- Appliance dimensions (HxWxD): 595 mm x 594 mm x 548 mm
- Installation dimensions (HxWxD): 585 mm - 595 mm x 560 mm - 568 mm x 550 mm
- Please reference the built-in dimensions provided in the installation drawing

iQ700, Built-in oven with added steam and microwave function, 60 x 60 cm, Black HN878G4B6B



If the appliance will be installed underneath a hob, the following worktop thicknesses (including substructure if necessary) must be taken into account.

Hob type	min. worktop thickness	
	fitted	flush
Induction hob	37 mm	38 mm
Full surface Induction hob	47 mm	48 mm
Gas hob	30 mm	38 mm
Electric hob	27 mm	30 mm

