

## iQ700, Built-in oven with added steam and microwave function, 60 x 60 cm, Stainless steel HN678G4S1B



- ✓ varioSpeed: reduce cooking times by up to 50%.
- ✓ fast preheat: reach the required baking temperature sooner; coolStart: no need to preheat the oven for deep frozen food.
- ✓ activeClean: the automatic system for effortless cleaning.
- ✓ pulseSteam: for crispy crusts and juicy roasts.
- ✓ Meals (automatic programs): guaranteed success for numerous dishes.

### Features

#### Technical Data

Type of micro-wave oven : MW-Combi  
 Type of control : Electronic  
 Color / Material Front : Stainless steel  
 Dimensions : 595 x 594 x 548  
 Cavity dimensions (mm) : 357.0 x 480 x 392.0  
 Length electrical supply cord (cm) : 120  
 Net weight (kg) : 50.417  
 Gross weight (kg) : 52.8  
 EAN code : 4242003672143  
 Maximum micro-wave power (W) : 800  
 Connection Rating (W) : 3600  
 Current (A) : 16  
 Voltage (V) : 220-240  
 Frequency (Hz) : 60; 50  
 Plug type : no plug



### Included accessories

- 2 x combination grid
- 1 x universal pan

### Optional accessories

- HZ636000 Glass pan
- HZ633070 Professional pan, anthracite enamelled
- HZ633001 Lid for professional pan, enamelled anth
- HZ632070 Multipurpose pan, anthracite enamelled
- HZ631070 Baking tray, anthracite enamelled
- HZ625071 Grill tray, anthracite enamelled
- HZ617000 Pizza pan, anthracite enamelled
- HZ327000 Baking stone

## iQ700, Built-in oven with added steam and microwave function, 60 x 60 cm, Stainless steel HN678G4S1B

### Features

#### Design

- Cavity volume: 67 net usable litres
- Location of the steam generator is outside of the cavity
- Electronic clock and timer
- Anthracite enamel cavity with 5 shelf levels
- LED lighting, Multi-level LED lighting
- Drop down oven door, SoftMove oven door with soft open and soft close, SoftOpen

#### Heating Functions

- Oven with microwave with 15 heating methods:
  - 4D HotAir
  - Drying
  - Full width grill
  - 4D HotAir Eco
  - Intensive heat
  - Half width grill
  - Top/ bottom heating
  - Top/bottom heating Eco
  - Pizza setting
  - Low temperature cooking
  - coolStart (deep-frozen food special)
  - Bottom heating
  - Hot air grilling
  - Plate warming setting
  - Keep Warm
  - 
  - Rapid heating-up: automatic
- Additional heating methods with steam: Reheating, Dough Proving
- Additional heating methods with microwave: Pure microwave, Combination microwave and conventional oven

#### Hook-in racks / rails

- roastingSensor with three measuring points
- bakingSensor
- 
- Meals (automatic programs)

#### Convenience

- Large 1 litre water tank
- Water tank empty indicator

#### Cleaning

- activeClean® – automatic self-cleaning function with automatic safety door lock

#### Safety and Environment

- Automatic door lock during pyrolysis
- Child lock for settings
- Automatic safety switch-off function
- Residual heat indicator
- Start button
- Door contact switch
- 
- Integrated cooling fan

#### Technical Info

- Appliance dimensions (HxWxD): 595 mm x 594 mm x 548 mm
- Installation dimensions (HxWxD): 585 mm - 595 mm x 560 mm - 568 mm x 550 mm

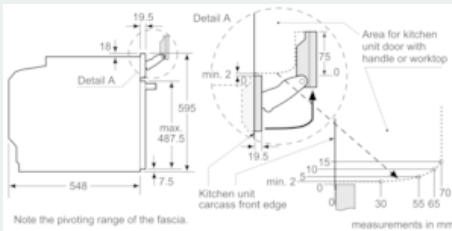
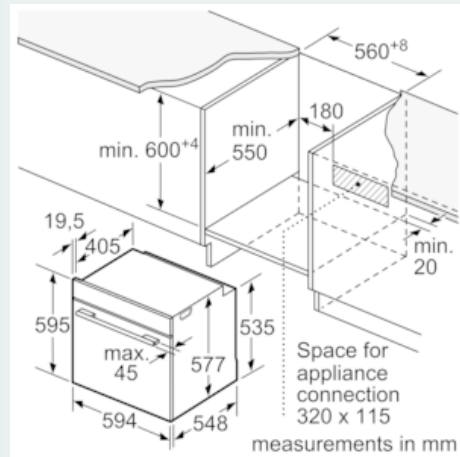
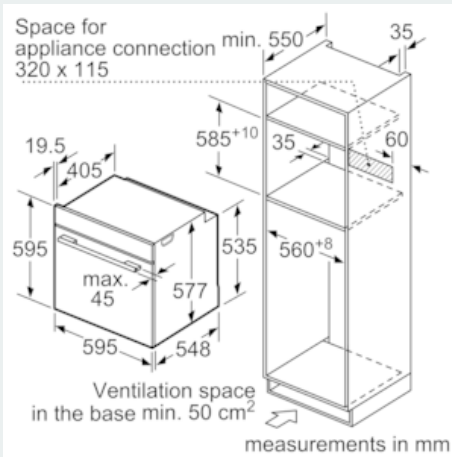
- Total connected load electric: 3.6 KW
- Length of mains cable: 120 cm
- Please reference the built-in dimensions provided in the installation drawing

#### Accessories

- 1 x universal pan, 2 x combination grid

**iQ700, Built-in oven with added steam and microwave function, 60 x 60 cm, Stainless steel  
HN678G4S1B**

Dimensioned drawings



If the appliance will be installed underneath a hob, the following worktop thicknesses (including substructure if necessary) must be taken into account.

Hob type	min. worktop thickness	
	fitted	flush
Induction hob	37 mm	38 mm
Full surface Induction hob	47 mm	48 mm
Gas hob	30 mm	38 mm
Electric hob	27 mm	30 mm