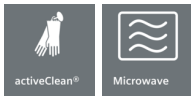


iQ700, Oven with microwave function, 24", Stainless steel HM678G4S1B



The oven with a built-in microwave and sensors for quick, perfect cooking.

- ✓ TFT Touchdisplay Plus: optimum readability and intuitive operation.
- ✓ varioSpeed: reduce cooking times by up to 50%.
- ✓ roastingSensor and bakingSensor: detect the exact moment when your food is done.
- ✓ Meals (automatic programs): guaranteed success for numerous dishes.
- ✓ activeClean: the automatic system for effortless cleaning.

Features

Technical Data

Type of micro-wave oven : MW-Combi
 Type of control : Electronic
 Color / Material Front : Stainless steel
 Dimensions of the product (mm) : 595 x 594 x 548
 Cavity dimensions (mm) : 357.0 x 480 x 392.0
 Length electrical supply cord (cm) : 120
 Net weight (kg) : 46.961
 Gross weight (kg) : 49.0
 EAN code : 4242003672051
 Maximum micro-wave power (W) : 800
 Connection Rating (W) : 3600
 Current (A) : 16
 Voltage (V) : 220-240
 Frequency (Hz) : 60; 50
 Plug type : no plug



Included accessories

- 2 x combination grid
- 1 x universal pan

Optional accessories

- HZ636000 Glass pan
- HZ633070 Professional pan, anthracite enamelled
- HZ633001 Lid for professional pan, enamelled anth
- HZ632070 Multipurpose pan, anthracite enamelled
- HZ631070 Baking tray, anthracite enamelled
- HZ625071 Grill tray, anthracite enamelled
- HZ617000 Pizza pan, anthracite enamelled
- HZ327000 Baking stone

iQ700, Oven with microwave function, 24", Stainless steel HM678G4S1B

Features

Design

- Cavity volume: 67 net usable litres
- NO_FEATURE
- Electronic clock and timer
- Rotary Control
- Anthracite enamel cavity with 5 shelf levels
- LED lighting, Multi-level LED lighting
- SoftMove oven door with soft open and soft close, SoftOpen

Heating Functions

- Temperature range 30 °C - 300 °C
- Oven with microwave with 15 heating methods:
- 4D HotAir
- 4D HotAir Eco
- Top/ bottom heating
- Top/bottom heating Eco
- Hot air grilling
- Full width grill
- Half width grill
- Pizza setting
- coolStart (deep-frozen food special)
- Bottom heating
- Intensive heat
- Low temperature cooking
- Plate warming setting
- Drying
- Warming
- Rapid heating-up
- Additional heating methods with microwave: Pure microwave, Combination microwave and conventional oven
- Max. Power: 800 W; 5 Microwave power settings (90 W,180 W,360 W,600 W,800 W) with Inverter (MW)

Hook-in racks / rails

- roastingSensor with three measuring points
- bakingSensor
- Meals (automatic programs)

Convenience

- Info button
- 1 level telescopic shelf, partially extendable, pyrolytic proof
- Temperature proposal
- Actual temperature display
- Actual temperature display
- Sabbath setting

Cleaning

- activeClean® – automatic self-cleaning function with automatic safety door lock
- Pyrolytic proof enamel trays

Safety and Environment

- Quadruple glazed door with heat reflective glass
- Maximum door temperature 30° C
- Child lock for settings
- Residual heat indicator
- Automatic safety switch-off function
- Integrated cooling fan

Accessories

- 2 x combination grid, 1 x universal pan

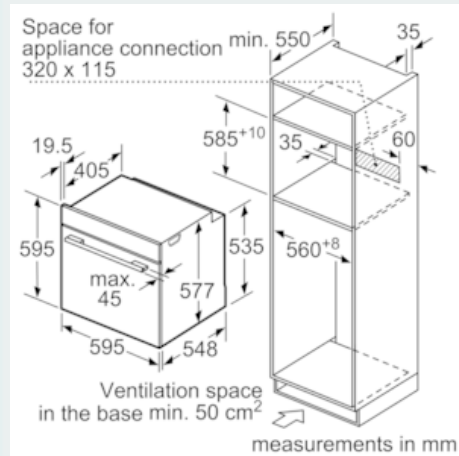
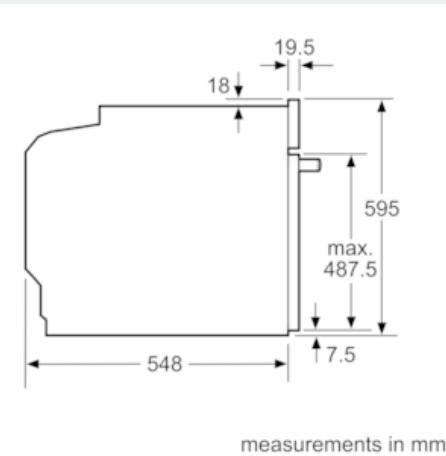
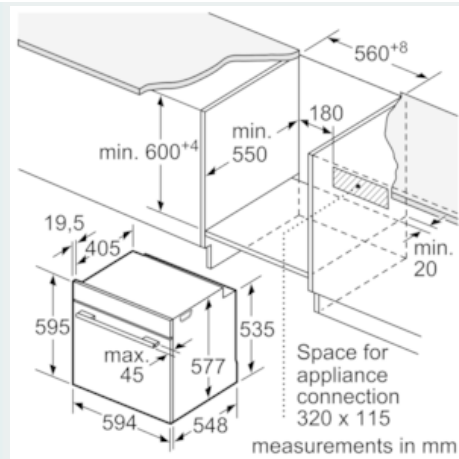
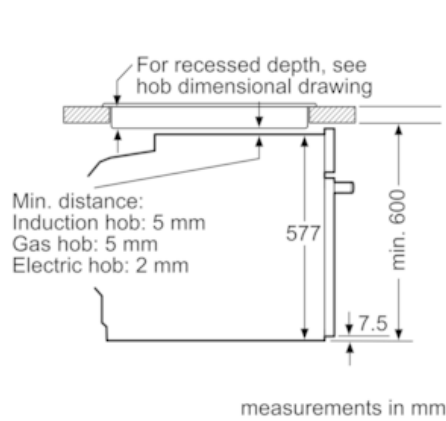
Technical Info

- Appliance dimensions (HxWxD): 595 mm x 595 mm x 548 mm
- Installation dimensions (HxWxD): 585 mm - 595 mm x 560 mm - 568 mm x 550 mm
- Total connected load electric: 3.6 KW
- Length of mains cable: 120 cm
- Please reference the built-in dimensions provided in the installation drawing

**iQ700, Oven with microwave function,
24", Stainless steel
HM678G4S1B**

Dimensioned drawings

Installation with a hob.



If the appliance will be installed underneath a hob, the following worktop thicknesses (including substructure if necessary) must be taken into account.

Hob type	min. worktop thickness	
	fitted	flush
Induction hob	37 mm	38 mm
Full surface Induction hob	47 mm	48 mm
Gas hob	30 mm	38 mm
Electric hob	27 mm	30 mm