

iQ700, Built-in oven with microwave function, 60 x 60 cm, Stainless steel HM676G0S1A



- ✓ varioSpeed – Prepare excellent dishes up to 50% faster.
- ✓ fastPreheat – Heat the oven quickly. coolStart – Eliminate preheating for frozen foods.
- ✓ activeClean® (pyrolytic cleaning) – The automatic, self-cleaning oven system.
- ✓ cookControl Plus – Select your dish, enter the weight and let your oven do the rest.
- ✓ TFT Touchdisplay: user-friendly menu navigation with good display features.

Features

Technical Data

Type of micro-wave oven : MW-Combi
 Type of control : Electronic
 Color / Material Front : Stainless steel
 Cavity dimensions : 357.0 x 480 x 392.0 mm
 Approval certificates : CE, VDE
 Length electrical supply cord : 120 cm
 Net weight : 46.821 kg
 Gross weight : 49.2 kg
 EAN code : 4242003683651
 Maximum micro-wave power : 800 W
 Connection Rating : 3600 W
 Fuse protection : 16 A
 Voltage : 220-240 V
 Frequency : 50; 60 Hz
 Plug type : no plug
 Cavity dimensions : 357.0 x 480 x 392.0 mm

Included accessories

- 1 x grill tray
- suit. pyrol. clean.
- 2 x combination grid
- 1 x universal pan



iQ700, Built-in oven with microwave function, 60 x 60 cm, Stainless steel HM676G0S1A

Features

Design

- Cavity volume: 67 net usable litres
- Electronic clock and timer
- Anthracite enamel cavity with 5 shelf levels
- LED lighting
- Drop down oven door, SoftMove oven door with soft open and soft close, SoftOpen

Heating Functions

- Oven with microwave with 13 heating methods:
- 4D HotAir
- Full width grill
- 4D HotAir Eco
- Half width grill
- Top/ bottom heating
- Top/bottom heating Eco
- Pizza setting
- Low temperature cooking
- coolStart (deep-frozen food special)
- Bottom heating
- Hot air grilling
- Plate warming setting
- Keep Warm
-
- Rapid heating-up: automatic
- Additional heating methods with microwave: Pure microwave, Combination microwave and conventional oven

Hook-in racks / rails

- Meals (automatic programs)

Convenience

Cleaning

- activeClean® – automatic self-cleaning function with automatic safety door lock

Safety and Environment

- Automatic door lock during pyrolysis
- Child lock for settings
- Automatic safety switch-off function
- Residual heat indicator
- Start button
- Door contact switch
-
- Integrated cooling fan

Technical Info

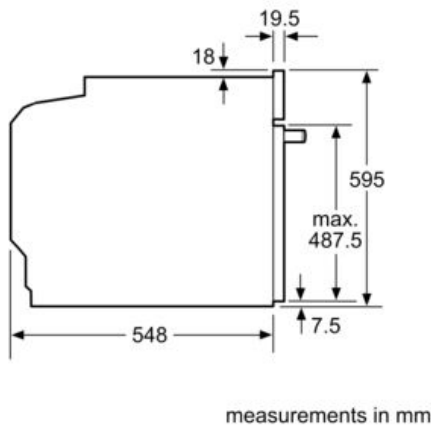
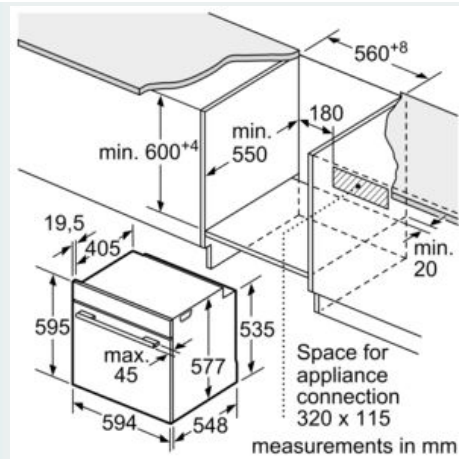
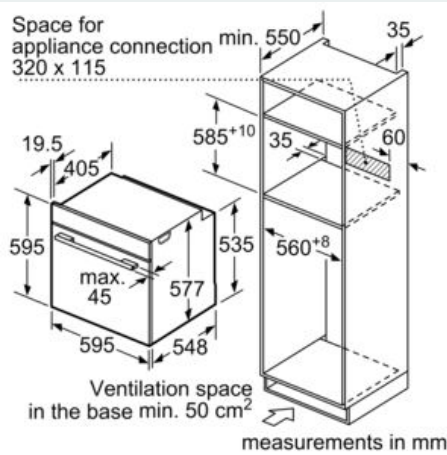
- Appliance dimensions (HxWxD): 595 mm x 594 mm x 548 mm
- Installation dimensions (HxWxD): 585 mm - 595 mm x 560 mm - 568 mm x 550 mm
- Total connected load electric: 3.6 KW
- Length of mains cable: 120 cm
- Please reference the built-in dimensions provided in the installation drawing

Accessories

- 1 x grill tray, suit. pyrol. clean., 2 x combination grid, 1 x universal pan

iQ700, Built-in oven with microwave function, 60 x 60 cm, Stainless steel HM676G0S1A

Dimensioned drawings



If the appliance will be installed underneath a hob, the following worktop thicknesses (including substructure if necessary) must be taken into account.

Hob type	min. worktop thickness	
	fitted	flush
Induction hob	37 mm	38 mm
Full surface Induction hob	47 mm	48 mm
Gas hob	30 mm	38 mm
Electric hob	27 mm	30 mm