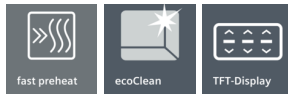


iQ700, Built-in oven, 60 x 60 cm, Stainless steel HB634GTS1A



"The oven offers modern baking and roasting convenience for best results."

- ✓ fast preheat: reach the required baking temperature sooner; coolStart: no need to preheat the oven for deep frozen food.
- ✓ ecoClean: effortless cleaning thanks to a special coating of the rear wall that automatically disintegrates dirt and reduces odours significantly.
- ✓ TFT Display: good readability from any perspective.

Features

Technical Data

Color / Material Front : Stainless steel
 Built-in / Free-standing : Built-in
 Integrated Cleaning system : catalytic partial, Hydrolytic
 Required niche size for installation (HxWxD) : 585-595 x 560-568 x 550
 Dimensions : 595 x 594 x 548
 Dimensions of the packed product (HxWxD) (mm) : 670 x 680 x 670
 Control Panel Material : Stainless steel
 Door Material : Glass
 Net weight (kg) : 38.540
 Usable volume of cavity (l) : 71
 Cooking method : Bottom heat, Conventional heat, Full width grill, Half width grill, Hot Air-Eco, Hot air grilling, low temperature cooking, Pizza setting, pre-heating, warming
 Temperature control : electronic
 Number of interior lights : 1
 Approval certificates : CE, VDE
 Length electrical supply cord (cm) : 120
 EAN code : 4242003683644
 Number of cavities (2010/30/EC) : 1
 Energy efficiency rating : A
 Energy consumption per cycle conventional (2010/30/EC) : 0.90
 Energy consumption per cycle forced air convection (2010/30/EC) : 0.74
 Energy efficiency index (2010/30/EC) : 87.1
 Connection Rating (W) : 3600
 Current (A) : 16
 Voltage (V) : 220-240
 Frequency (Hz) : 60; 50
 Plug type : no plug

Included accessories

- 1 x grill tray
- suit. pyrol. clean.
- 2 x combination grid
- 1 x universal pan

Optional accessories

- HZ636000 Glass pan
- HZ633070 Professional pan, anthracite enamelled
- HZ633001 Lid for professional pan, enamelled anth
- HZ632070 Multipurpose pan, anthracite enamelled
- HZ631070 Baking tray, anthracite enamelled
- HZ625071 Grill tray, anthracite enamelled
- HZ617000 Pizza pan, anthracite enamelled
- HZ327000 Baking stone



iQ700, Built-in oven, 60 x 60 cm, Stainless steel HB634GTS1A

Features

Design

- Cavity volume:71 net usable litres
- Electronic clock and timer
- Rotary knob
- Enamel anthracite with 5 shelf levels
- Round halogen light
- Drop down oven door, soft closing, soft opening

Heating Functions

- Temperature range 30 °C-300 °C
- Oven with 13 heating methods:
- 4D HotAir
- Full width grill
- 4D HotAir Eco
- Half width grill
- Top/ bottom heating
- Conventional heat ECO
- Pizza setting
- Low temperature cooking
- coolStart (deep-frozen food special)
- Bottom heat
- Hot air grilling
- pre-heating
- Keep Warm
-
- Rapid heating-up: automatic

Convenience

- Info button
- Cavity with shelf support rails, 3-level, full extension, with safety stop function
- autom. temperature proposal
- heating-up control
- Residual heat indicator
- Sabbath function
-

Cleaning

- EcoClean Direct :back panel

Safety and Environment

- Triple glazed door with heat reflective glass
- Child lock for settings
- Automatic safety switch-off function
- residual heat indicator
- start button
- door contact switch
-
- Integrated cooling fan

Technical Info

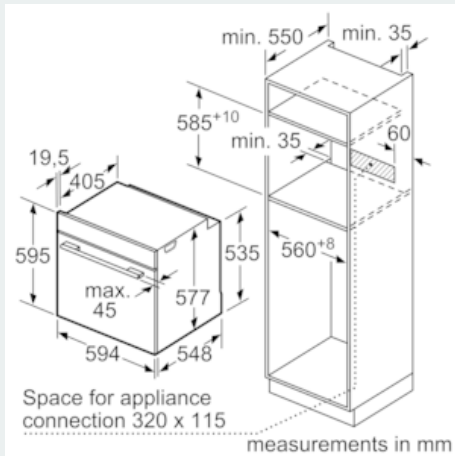
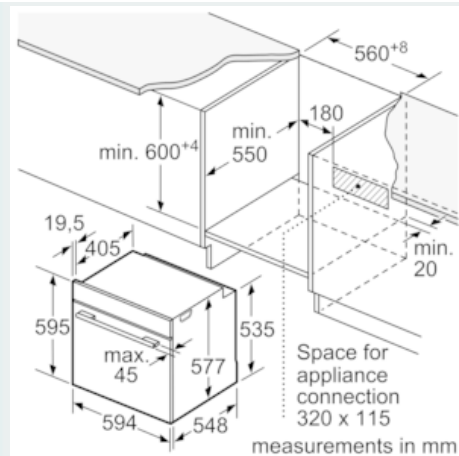
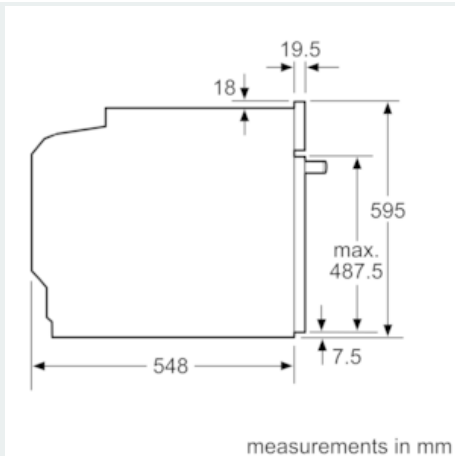
- Appliance dimensions (HxWxD):595 mmx594 mmx548 mm
- Installation dimensions (HxWxD):585 mm-595 mmx560 mm-568 mmx550 mm
- Total connected load electric: 3.6 KW
- Length of mains cable: 120 cm
- Please reference the built-in dimensions provided in the installation drawing

Accessories

- 1 x grill tray, suit. pyrol. clean., 2 x combination grid, 1 x universal pan

**iQ700, Built-in oven, 60 x 60 cm,
Stainless steel
HB634GTS1A**

Dimensioned drawings



If the appliance will be installed underneath a hob, the following worktop thicknesses (including substructure if necessary) must be taken into account.

Hob type	min. worktop thickness	
	fitted	flush
Induction hob	37 mm	38 mm
Full surface Induction hob	47 mm	48 mm
Gas hob	30 mm	38 mm
Electric hob	27 mm	30 mm