

iQ700, Induction hob, 80 cm, Black EZ877KZY1E



The freeInduction Plus cooktop with Home Connect for maximum flexibility.

- ✓ freeInduction Plus 80cm: Move up to five pots and pans freely on the cooktop, without being restricted to size or predefined cooking zones.
- ✓ powerMove Pro: Change the power level in five steps only by moving the cookware.
- ✓ cookingSensor Plus is an intelligent system that prevents overboiling thanks to precise temperature control.
- ✓ Coloured TFT-Touchdisplay Plus: shows position, size and form of the cookware directly in the screen and allows intuitive control of the cooktop.
- ✓ The convenient cookConnect system allows you to control different functions of the extractor hood directly from your cooktop. (with matching hood)

Features

Technical Data

Product name/family : Cooking zone ceramic
 Construction type : Built-in
 Energy input : Electric
 Total number of positions that can be used at the same time : 5
 Required niche size for installation (HxWxD) : 61 x 750-780 x 490-500
 Width of the product (mm) : 812
 Dimensions of the product (mm) : 61 x 812 x 520
 Dimensions of the packed product (HxWxD) (mm) : 152 x 951 x 636
 Net weight (kg) : 26.280
 Gross weight (kg) : 28.0
 Residual heat indicator : Separate
 Location of control panel : Hob front
 Color of surface : , Black
 Approval certificates : AENOR, CE
 Length electrical supply cord (cm) : 150
 EAN code : 4242003783986
 Electrical connection rating (W) : 7400
 Voltage (V) : 220-240
 Frequency (Hz) : 60; 50



Included accessories

- 1 x adjustment strip 750 - 780 mm
- 1 x wireless temperature sensor for cooktop

Optional accessories

- | | |
|----------|---------------------------|
| HZ390512 | Teppan Yaki (large) |
| HZ390250 | System pan diameter 28 cm |
| HZ390230 | System pan diameter 21cm |
| HZ390220 | System pan diameter 19 cm |
| HZ390210 | System pan diameter 15 cm |

iQ700, Induction hob, 80 cm, Black EZ877KZY1E

Features

Cooktop Type and Special Features

- Free induction
- 1 large cooking zone (surface: 2750 cm²) - multiple size pots, pans and trays at once (up to 5)
- Coloured TFT touch display plus (6.2")
- cookingSensor Plus

Design

- Stainless steel side profiles, Black anodized
- Spill protection

Comfort & Convenience

- Up to 5 pots and pans can be heated at the same time
- Total flexibility in size, shape and position of the cookware
- PowerMove Pro: change the power level in 5 steps only by moving the cookware
- cookConnect system (with matching hood)
- count-up timer, per cooktop, LED display and timer with auto switch off for all cooking zones, LED display and timer with auto switch off
- flexMotion
- Meals (automatic programs)
- QuickStart - Quick and automatic first pot detection
- ReStart - Quickly reinstates previous settings
- LED display and timer with auto switch off for all cooking zones
- Keep warm function
- 17 power levels for each cooking zone
- Acoustic signal: polyphonic sound

Safety and Environment

- Automatic pan recognition
- powerManagement Function
- Automatic safety switch-off
- childproof lock
- Energy consumption display
- 3 stage residual heat indicator

Technical Information

- panBoost
- powerBoost function for all cooking zones

Size & Power

Dimensions (WxD)

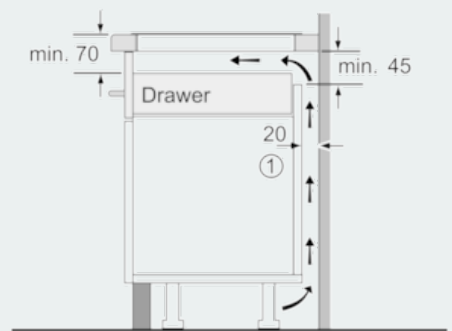
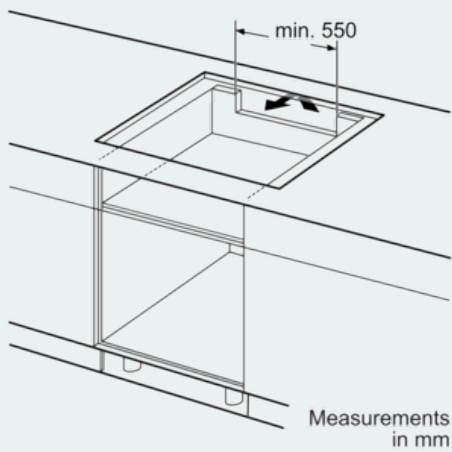
- Appliance dimensions: (W x D) 812 mm x 520 mm
- Installation dimensions: (H x W x D) 61 mm x 750 mm x 490 mm
- Integrated cooling fan
- Min. worktop thickness: 30 mm
- 7.4 kW total connected load
- connected directly

Accessories

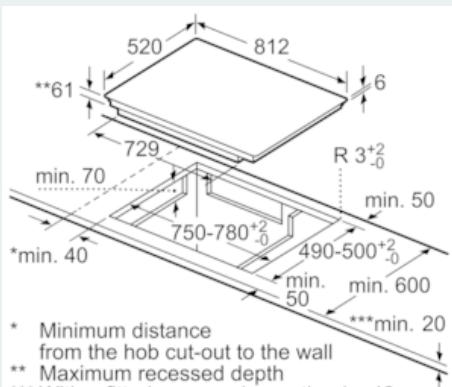
- 1 x wireless temperature sensor for cooktop, 1 x adjustment strip 750 - 780 mm included.

iQ700, Induction hob, 80 cm, Black
EZ877KZY1E

Dimensioned drawings



①
Ventilation gap must be present.



* Minimum distance from the hob cut-out to the wall
 ** Maximum recessed depth
 *** With a fitted oven underneath min. 40, possibly more; see space requirements for the oven.

measurements in mm