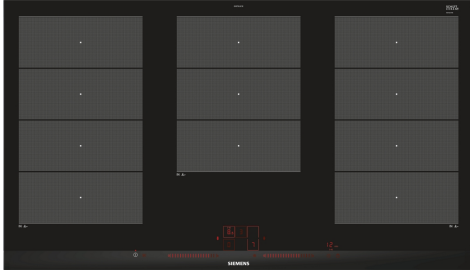


**iQ700, Induction cooktop, 90 cm,  
Black  
EX975LXC1E**



Induction cooktop with innovative features that enable highly flexible cooking in any situation.

- ✓ flexInduction adapts the cooking zones to different cookware and pots up to 24 cm diameter – for more flexibility.
- ✓ Dual lightSlider lets you easily and intuitively operate the hob.
- ✓ The fryingSensor plus controls the temperature in the pan so can never burn again.
- ✓ powerMove Plus: enables intuitive control thanks to three heating zones with different temperatures – activated by touch.
- ✓ Shorter heating times with up to 50% more power thanks to the powerBoost-function.

HZ32WA00 Wireless food thermometer, HZ390011 Stainless Steel roaster with glas lid, HZ390012 Steaming Rack for Stainless Steel roaste, HZ390090 Wok Set consisting of 3 Items, HZ390210 System pan diameter 15 cm, HZ390220 System pan diameter 19 cm, HZ390230 System pan diameter 21cm, HZ390512 Teppan Yaki (large), HZ390522 Griddle Plate, HZ394301 Connecting strip, HZ9CF240 Fry pan, coated 24cm Ø, HZ9CF280 Fry pan, coated 28cm Ø, HZ9ES100 Espresso maker 4 cups, HZ9FE280 Iron pan Ø 18 / 28 cm, HZ9FF010 Flex Pan, large, HZ9FF030 Flex Pan set, 3 pcs., HZ9FF040 Flex Pan set, 4 pcs., HZ9SE030 Set of 2 pots and 1 pan, HZ9SE040 4 pieces Set, HZ9SE060 6 pieces Set, HZ9TY010 Teppan Yaki

Product name/family: ..... Cooking zone ceramic  
 Built-in / Free-standing: ..... Built-in  
 Source of energy: ..... Electric  
 Total number of positions that can be used at the same time: 5  
 Required niche size for installation (HxWxD): .....51 x 880-880 x 490-500 mm  
 Width of the appliance: ..... 912 mm  
 Dimensions (HxWxD): .....51x912x520 mm  
 Dimensions of the packed product: ..... 126 x 1073 x 603 mm  
 Net weight: ..... 20.2 kg  
 Gross weight: ..... 24.0 kg  
 Residual heat indicator: .....separate  
 Location of control panel: ..... Front  
 Basic surface material: ..... Ceramic  
 Color of surface: ..... Black, Alu, brushed  
 Length electrical supply cord: ..... 110.0 cm  
 EAN code: .....4242003692301  
 Voltage: .....220-240 V  
 Frequency: .....50; 60 Hz



## iQ700, Induction cooktop, 90 cm, Black EX975LXC1E

### Cooktop Type and Special Features

- 5 induction cooking zones
- 2x 3 Flex zones
- powerBoost function for all cooking zones
- panBoost
- fryingSensor Plus with 5 temperature settings

### Design

- Frameless with front faceted glass

### Comfort & Convenience

- Dual LightSlider
- LED display and timer with auto switch off for all cooking zones
- LED display and timer with auto switch off for all cooking zones, Count-up timer, LED display and timer with auto switch off
- ReStart - Quickly reinstates previous settings
- QuickStart - Quick and automatic first pot detection
- powerMove Plus

### Size & Power

- 17 power levels for each cooking zone
- Cooking zones:
  - 1 x Ø 400 mmx240 mm, 3.3 KW (max. Power level 3.7 KW) Induction or 2 x Ø 240 mm, 2.2 KW (max. Power level 3.7 KW) Induction;
  - 1 x Ø 300 mmx240 mm, 2.6 KW (max. Power level 3.7 KW) Induction;
  - 1 x Ø 400 mmx240 mm, 3.3 KW (max. Power level 3.7 KW) Induction or 2 x Ø 240 mm, 2.2 KW (max. Power level 3.7 KW) Induction
- 11.1 KW total connected load

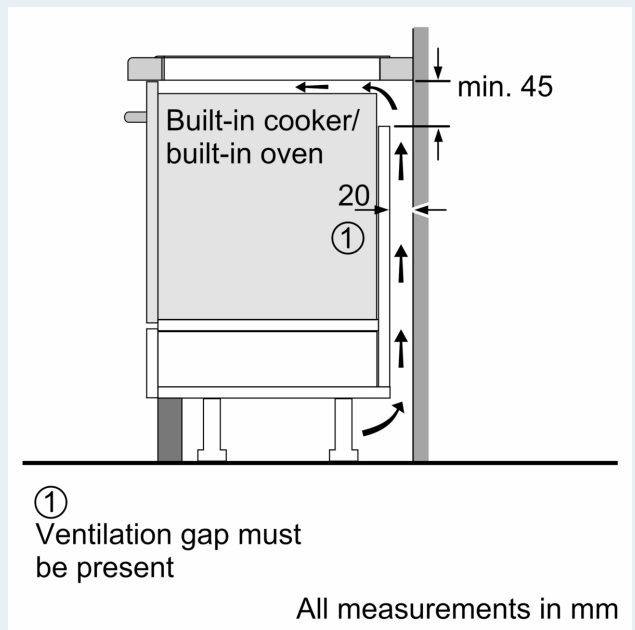
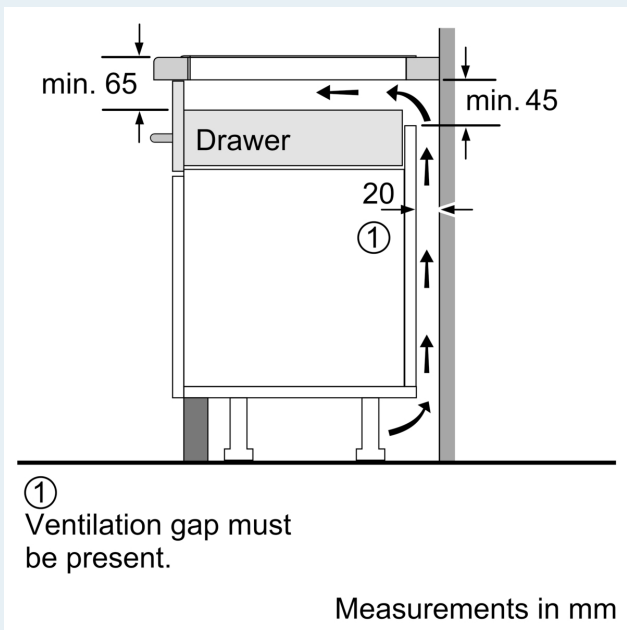
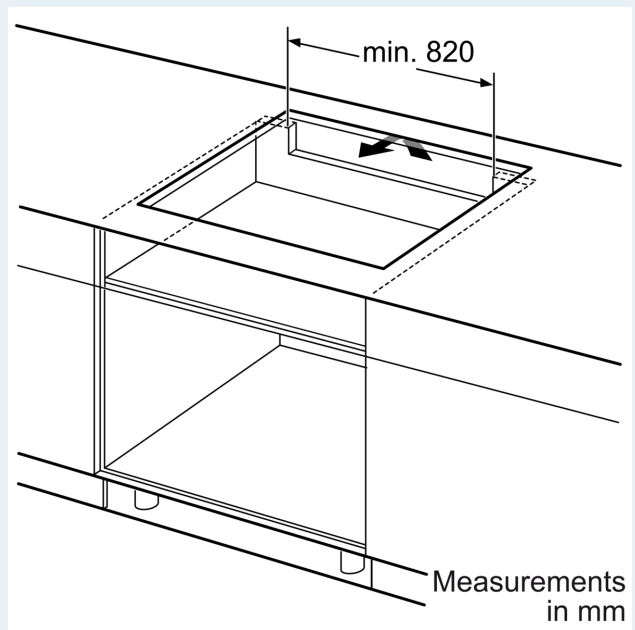
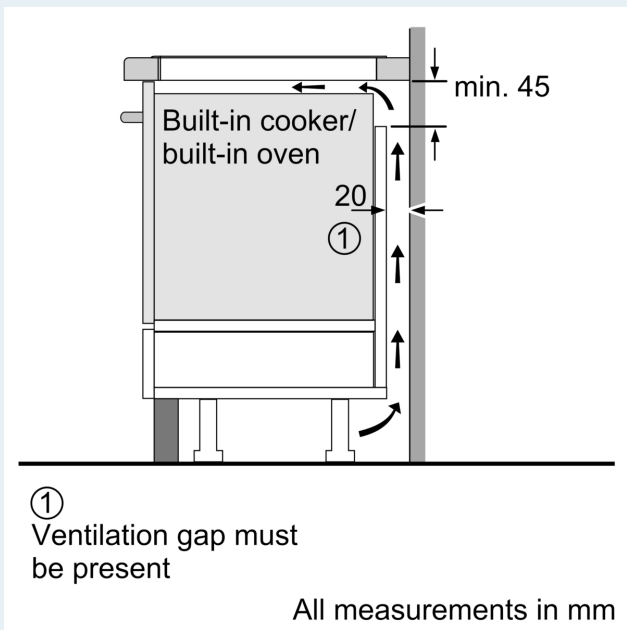
### Safety and Environment

- Automatic pan recognition
- Automatic pan recognition
- powerManagement Function
- Automatic safety switch-off
- Childproof lock
- wipeProtection function
- Energy efficiency display
- Integrated cooling fan

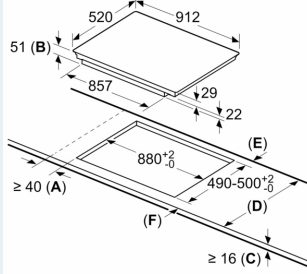
### Dimensions (WxD)

- Min. worktop thickness: 16 mm

**iQ700, Induction cooktop, 90 cm,  
Black  
EX975LXC1E**



measurements in mm



- A:** Minimum distance from the hob cut-out to the wall.
- B:** Recessed depth
- C:** The clearance between the surface of the worktop and the top of the front of the oven must be 30 mm. See space requirements for the oven.

The worktop into which the hob is installed must withstand loads of approx. 60 kg; suitable substructures must be used if required.

D	E	F
585-600	50	≥ 35
> 600	≥ 50	≥ 50