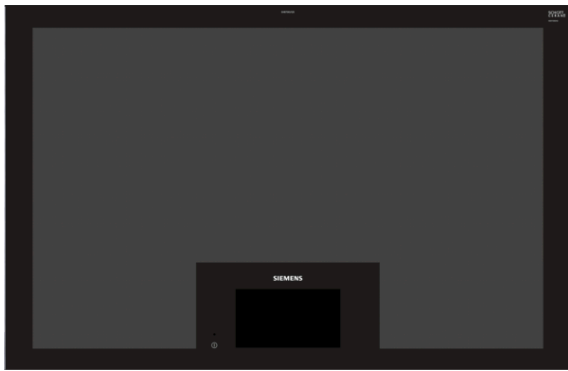


iQ700, Induction hob, 80 cm, Black EH875KU12E



The freeInduction cooktop – new freedom in cooking.

- ✓ Innovative induction technology makes cooking faster, cleaner and safer.
- ✓ Regardless of size and shape, you can place your pots and pans wherever you want thanks to freeInduction.
- ✓ Colour TFT touchscreen optimally displays the position, size and shape of your cookware and permits intuitive operation.
- ✓ Automatically detects the position, size and shape of your cookware thanks to micromodule technology.
- ✓ Shorter heating times with up to 50% more power thanks to the powerBoost-function.

Features

Technical Data

Product name/family : Cooking zone ceramic
 Construction type : Built-in
 Energy input : Electric
 Total number of positions that can be used at the same time : 4
 Required niche size for installation (HxWxD) : 61 x 750-780 x 490-500
 Width of the product (mm) : 812
 Dimensions of the product (mm) : 61 x 812 x 520
 Dimensions of the packed product (HxWxD) (mm) : 120 x 930 x 615
 Net weight (kg) : 26.204
 Gross weight (kg) : 27.8
 Residual heat indicator : Separate
 Location of control panel : Hob front
 Color of surface : Alu, brushed, Black
 Color of frame : Alu, brushed
 Approval certificates : AENOR, CE
 Length electrical supply cord (cm) : 110
 EAN code : 4242003734612
 Electrical connection rating (W) : 7200
 Voltage (V) : 220-240
 Frequency (Hz) : 60; 50

Included accessories

1 x adjustment strip 750 - 780 mm



iQ700, Induction hob, 80 cm, Black EH875KU12E

Features

Cooktop Type and Special Features

- 1 large cooking zone (surface: 2.800 cm²) - multiple size pots, pans and trays at once (up to 4)
- Free induction
- powerBoost function for all cooking zones
- Power settings transfer function

Design

- Black ceramic glass with stainless steel side profiles and beveled front

Comfort & Convenience

- Graphical pot representation, 6.5" coloured TFT touchscreen control panel
- LED display and timer with auto switch off for all cooking zones
- Information key

Size & Power

- 17 power levels for each cooking zone
- 7.2 kW total connected load

Safety and Environment

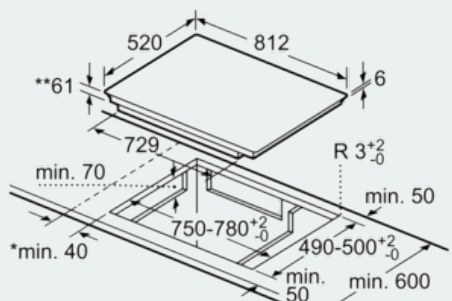
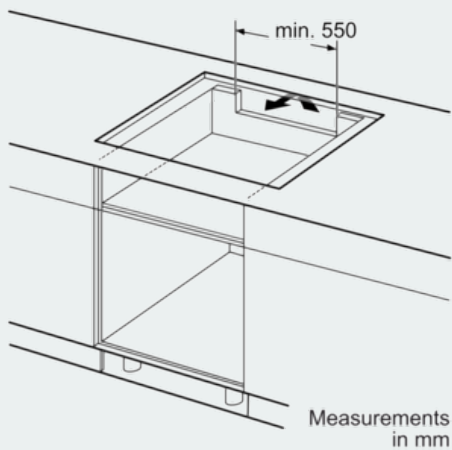
- Automatic pan recognition
- Automatic safety switch-off
- childproof lock
- 2-stage (h/H) digital residual heat indicator for each cooking zone
- wipeProtection function - Quickly pauses settings to clean as you go
- Demo Mode

Dimensions (WxD)

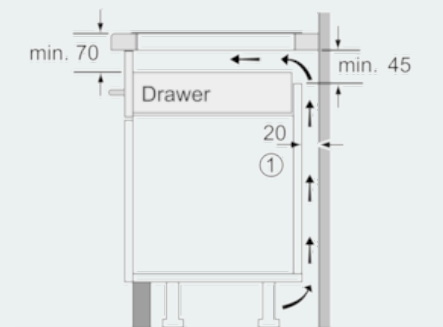
- Installation measurements: 750 mm x 490 mm
- Length wire connection: 110 cm
- Min. worktop thickness: 20 mm

iQ700, Induction hob, 80 cm, Black EH875KU12E

Dimensioned drawings

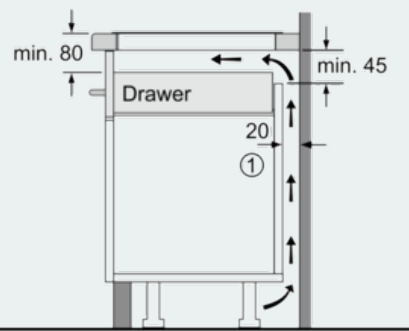


- * Minimum distance from the hob cut-out to the wall
 - ** Maximum recessed depth
 - *** With a fitted oven underneath min. 40, possibly more; see space requirements for the oven.
- measurements in mm



① Ventilation gap must be present.

Measurement in mm



① Ventilation gap must be present.

measurements in mm