

iQ700, Built-In Fully Automatic Coffee Machine, Stainless steel CT636LES1



Built-in coffee center with oneTouch Function for perfect coffee indulgence.

- ✓ Less bitter tasting extra-strong coffee thanks to the aromaDouble Shot double grinding and brewing process.
- ✓ Fully automatic steam cleaning and optimal hygiene thanks to autoMilk Clean.
- ✓ Grind the perfect aroma out of every bean and long-life guarantee with ceramDrive.
- ✓ Any drink at the touch of a button - prepare even two milk specialities at the same time with oneTouch DoubleCup.
- ✓ Easily prepare every coffee and milk beverage at the touch of a button with the oneTouch function.

Built-in / Free-standing: Built-in
 Net weight: 19.7 kg
 Gross weight: 22.2 kg
 Dimensions (HxWxD): 455 x 594 x 385 mm
 Dimensions of the packed product: 540 x 478 x 670 mm
 Min. required niche size for installation (HxWxD): ..449 x 558 x 356 mm
 EAN code:4242003645437
 Fuse protection:10 A
 Voltage:220-240 V
 Frequency:50/60 Hz
 Length electrical supply cord: 170.0 cm



TZ70003	1 x Brita Filter for EQ Coffee Machine
TZ80001A	Cleaning tablets
TZ80001B	10 x Cleaning Tablets for EQ Coffee Mach
TZ80002A	Descaling tablets
TZ80002B	3 x Descaling Tablets for EQ Coffee Mach
TZ80004A	Care set espresso
TZ80004B	Care Set for EQ Coffee Machines
TZ80009N	Insulated milk container

iQ700, Built-In Fully Automatic Coffee Machine, Stainless steel CT636LES1

Flavour

- Innovative SensoFlow heating system - Fast first cup
- AromaPressureSystem: Ideal contact pressure for optimal aroma extraction
- One-touch preparation: Ristretto, Espresso, Espresso macchiato, Coffee, Cappuccino, Latte macchiato, Caffé Latte at the touch of a button
- aromaDouble Shot: Extra-strong coffee with less bitterness thanks to two grinding and brewing processes
- Beverage temperature individually adjustable: 3 coffee temperature levels, Hot water: 4 grades
- optional Brita water filter: Reduces the lime content of water and filters substances affecting smell and taste

Convenience

- 4.1" TFT display with interactive menu
- MyCoffee: Save favourite beverages with individual names and adjustable mixing ratio of milk and espresso
- individualCup Volume: Cup sizes adjustable individually (20-250 ml), to ensure your cup gets filled just as far as you would like it to (20-250 ml)
- Coffee outlet and milk frother height-adjustable: Up to 15 cm (max) high Latte Macchiato glasses fit underneath
- OneTouch DoubleCup: Prepare two cups simultaneously for all coffee and milk specialities
- Removable 2.4 litre water tank
- Early warning when bean container or water tank are close to empty
- Flexible milk solution: Decide for yourself if you prefer connecting the provided milk container or using any other container, e.g. a milk carton
- Short user manual always at hand inside appliance

Performance

- silentCeram Drive: High-value ceramic grinding unit
- coffeeSensor System: The grinding unit automatically adjusts to bean variety
- One-touch coffee milk specialities with especially fine-pored milk froth thanks to an innovative milk frother
- In addition to beverages also available separately: milk foam, warm milk, hot water
- Reduced heating-up time: fastest first cup!
- Water pump with 19 bar pressure
- Separate chute for pre-ground coffee
- 15.000 cup warranty: Consistently high appliance quality from the first cup to the 15,000th (valid for non-commercial use within 24 months)

Hygiene

- Removable brewing unit: Easy and hygienic cleaning under running water
- steam blast: Fully-automatic steam cleaning of the milk system after every beverage
- All milk nozzle parts are easily removable, separable, easy to clean

and dishwasher-proof

- singlePortion Cleaning: Complete emptying of all pipes after each brewing process
- Automatic rinsing program when switched on or off
- Removable drip tray with container for coffee dregs
- Fully automatic descaling & cleaning program calc'nClean
- Temperature adjustment

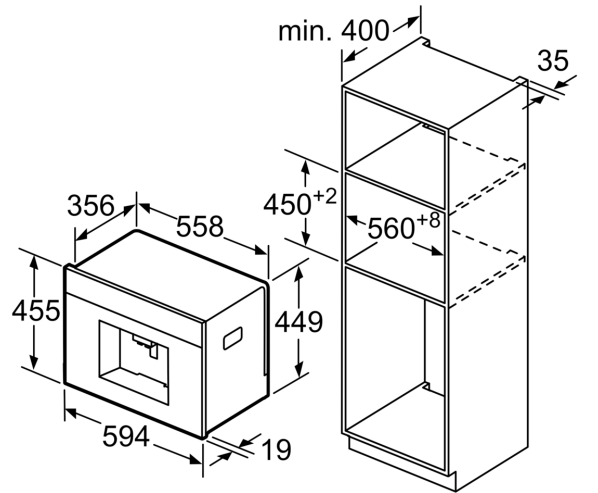
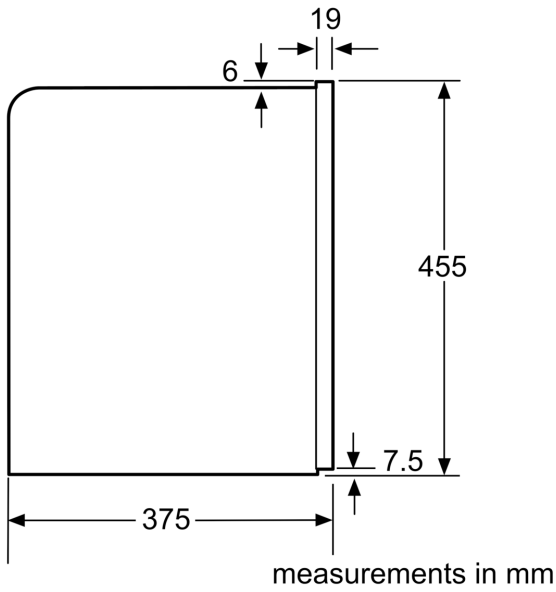
Extras

- Containers for water, milk and coffee beans are easily accessible but hidden behind a door, so the kitchen always looks clean
- Bean container with aroma protection lid (500 g volume)
- Illumination for keys and coffee outlet
- Grinding fineness adjustable (multi-level)
- Convenient quick rinsing function
- Child-proof lock: key lock preventing unintended brewing cycle
- Power 1700 W

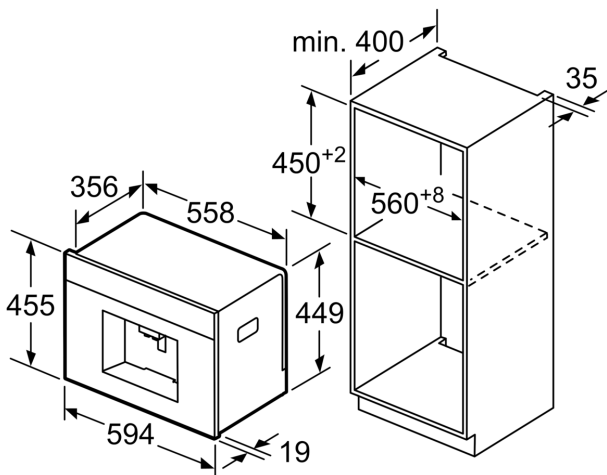
Accessories

- Insulated milk container with FreshLock lid (0.5 l volume)
- Included accessories: assembly screws, connection hose for milk frother, milk container (insulated), milk pipe, scoop, test strip
- Separately available accessories: cleaning tablets (TZ80001), descaling tablets (TZ80002), BRITA Intenza water filter (TZ70003), care set for fully-automatic espresso makers (TZ80004), insulated milk container (TZ80009N)

**iQ700, Built-In Fully Automatic
Coffee Machine, Stainless steel
CT636LES1**

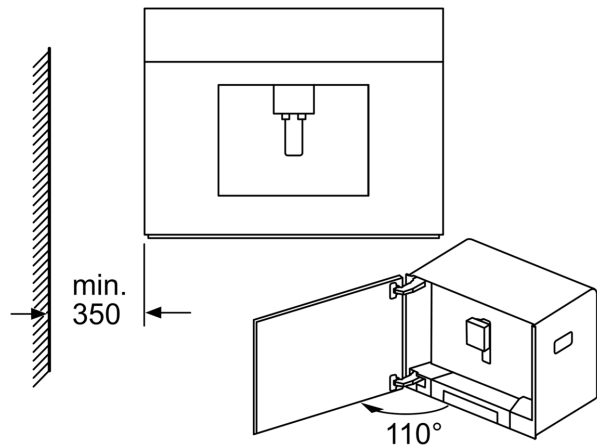


Bean and water containers are removed from the front. Recommended installation height 95-145 cm. measurements in mm



Bean and water containers are removed from the front. Recommended installation height 95-145 cm. measurements in mm

left corner installation



If using the 92° hinge limiter (spare part no. 00636455), the minimum distance to the wall is only 100 mm. measurements in mm

