

iQ700, Built-in compact oven with steam function, 60 x 45 cm, Black CS858GRB7B



HZ36D613 Steam container, unpunched, size S, HZ36D613G Steam container, punched, size S, HZ531010 Baking tray, non-stick ceramic coated, HZ532010 Universal pan, non-stick ceramic coated, HZ617000 Pizza pan, enamelled, HZ625071 Grill tray, enamelled, HZ631070 Baking tray, enamelled, HZ632070 Multipurpose pan, enamelled, HZ636000 Glass pan, HZ664000 Baking and roasting grid (steam), HZ66D910 Vacuum bags 180 x 280mm, 100 pcs., HZ66D920 Vacuum bags 240 x 350 mm, 100 pcs., HZ66X600 Decor list, HZ66X650 Cover Strip, HZ6BMA00 Assembly kit for vertical installation, HZ915003 Glass roasting dish, 5,4 L

Shorten your cooking time thanks to fast preheat and coolStart.

- ✓ fullSteam with Sous-vide – For healthy and great-tasting meals.
- ✓ cookControl Plus – Select your dish, enter the weight and let your oven do the rest.
- ✓ Wi-Fi enabled – Control your oven via the Home Connect App.
- ✓ roastingSensor Plus – Three-point thermometer for excellent roasts every time.
- ✓ 4D hotAir – Even heat distribution for excellent results on up to four levels at once.

Color / Material Front: Black
 Built-in / Free-standing: Built-in
 Door opening: Drop down
 Cleaning : ecoClean® self-cleaning function (rear, sides and ceiling), Hydrolytic
 Control Panel Material:Glass
 Door Material:Glass
 Dimensions (HxWxD): 455 x 594 x 548 mm
 Dimensions of the packed product: 530 x 660 x 690 mm
 Min. required niche size for installation (HxWxD): 450-455 x 560-568 x 550 mm
 Cavity dimensions: 235 x 480 x 415 mm
 Usable volume of cavity: 47 l
 Number of interior lights:1
 Net weight: 35.6 kg
 Gross weight: 37.9 kg
 EAN code:4242003839553
 Power supply: 3300 W
 Fuse protection:16 A
 Voltage:220-240 V
 Frequency:50; 60 Hz
 Length electrical supply cord: 150.0 cm



iQ700, Built-in compact oven with steam function, 60 x 45 cm, Black CS858GRB7B

Heating Functions

- Compact steam oven with 15 heating methods:
- 4D HotAir
- 4D HotAir Eco
- Half width grill
- Drying
- Full width grill
- Intensive heat
- Top/ bottom heating
- Top/bottom heating Eco
- Pizza setting
- Low temperature cooking
- coolStart (deep-frozen food special)
- Bottom heating
- Hot air grilling
- Plate warming setting
- Keep Warm
- Temperature range 30 °C - 250 °C
- Cavity volume: 47 net usable litres

Hook-in racks / rails

- Number of shelf levels: 3 PC
- Telescopic rails: 1 level telescopic shelf, full extension, with safety stop function

Design

- Black Steel Design
- Rotary Control
- Anthracite enamel cavity with 3 shelf levels

Cleaning

- EcoClean Direct : side liners, ceiling, back panel
- ecoClean® self-cleaning function (rear, sides and ceiling)
- Full glass inner door

Convenience

- 5.7" TFT touchDisplay Plus
- Electronic clock and timer
- Temperature proposal
- Residual heat indicator
- Actual temperature display
- Meat probe function
- Additional functions:
- Descaling program
- drying function
- Drop down oven door, SoftMove oven door with soft open and soft close, SoftOpen
- Meals (automatic programs)
- roastingSensor with three measuring points
- bakingSensor

- Rapid heating-up: automatic
- coolStart
- LED lighting
- Large 1 litre water tank
- Water tank empty indicator
- Location of the steam generator is outside of the cavity
- Integrated cooling fan
- HomeConnect ready

Accessories

- 1 x steam container, punched, size S, 1 x steam container, punched, size XL, 1 x steam container, unpunched, size S, 1 x grid, 1 x sponge, 1 x universal pan

Safety and Environment

- Door temperature 40 degrees
- Child lock for settings
- Automatic safety switch-off function
- Residual heat indicator
- Start button
- Door contact switch

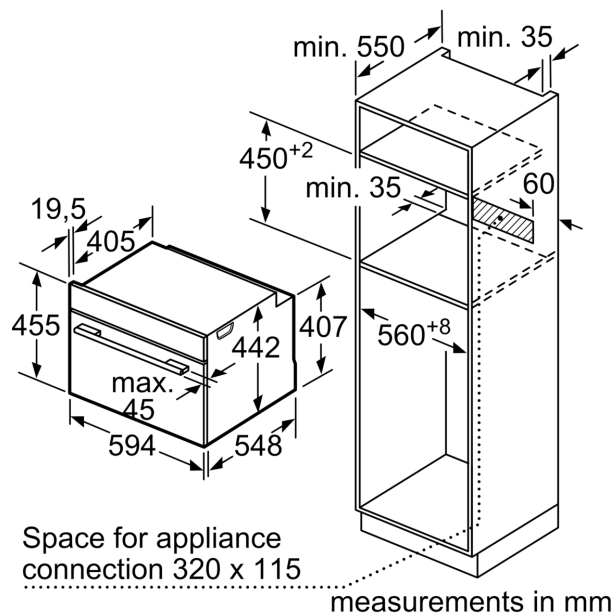
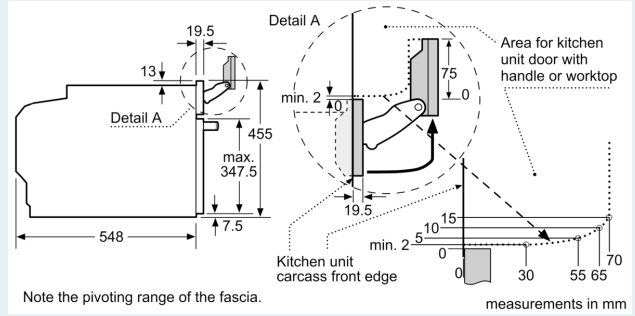
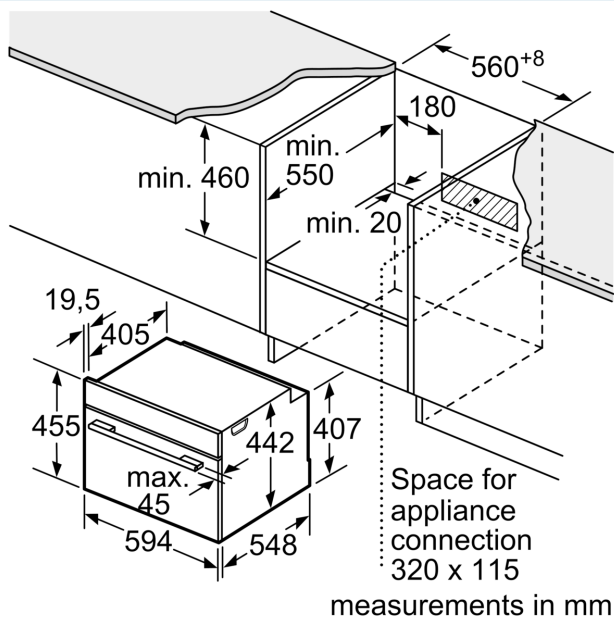
Technical Info

- Length of mains cable: 150 cm
- Nominal voltage: 220 - 240 V
- Total connected load electric: 3.3 KW

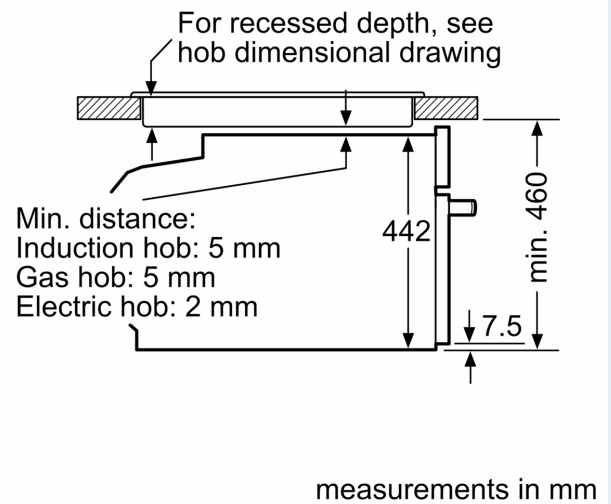
Dimensions

- Appliance dimensions (HxWxD): 455 mm x 594 mm x 548 mm
- Installation dimensions (HxWxD): 450 mm - 455 mm x 560 mm - 568 mm x 550 mm
- Please reference the built-in dimensions provided in the installation drawing

iQ700, Built-in compact oven with steam function, 60 x 45 cm, Black CS858GRB7B



Installation with a hob.



If the compact appliance will be installed underneath a hob, the following worktop thicknesses (including substructure if necessary) must be taken into account.

Hob type	min. worktop thickness	
	fitted	flush
Induction hob	42 mm	43 mm
Full surface Induction hob	52 mm	53 mm
Gas hob	32 mm	43 mm
Electric hob	32 mm	35 mm