

## iQ700, Built-in compact oven with microwave function, 60 x 45 cm, Black CM833GBB1A



- ✓ varioSpeed – Prepare excellent dishes up to 50% faster.
- ✓ fast preheat: reach the required baking temperature sooner.
- ✓ TFT Display: good readability from any perspective.
- ✓ 4D hotAir – Even heat distribution for excellent results on up to four levels at once.

|  |                            |
|--|----------------------------|
| Type of micro-wave oven: .....                           | MW-Combi                   |
| Color / Material Front: .....                            | Black                      |
| Built-in / Free-standing: .....                          | Built-in                   |
| Colour.Material door: .....                              | Black                      |
| Cleaning : .....   | No                         |
| Control Panel Material: .....                            | Glass                      |
| Dimensions (HxWxD): .....                                | 455 x 594 x 548 mm         |
| Dimensions of the packed product: .....                  | 540 x 650 x 680 mm         |
| Min. required niche size for installation (HxWxD): ..... | 450-455 x 560-568 x 550 mm |
| Cavity dimensions: .....                                 | 237.0 x 480 x 392.0 mm     |
| Cavity capacity: .....                                   | 45 l                       |
| Max. microwave power: .....                              | 900 W                      |
| Number of interior lights: .....                         | 1                          |
| Net weight: .....  | 34.2 kg                    |
| Gross weight: .....                                      | 36.5 kg                    |
| EAN code: .....  | 4242003832820              |
| Power supply: .....                                      | 3600 W                     |
| Fuse protection: .....                                   | 16 A                       |
| Voltage: .....   | 220-240 V                  |
| Frequency: .....   | 60; 50 Hz                  |
| Length electrical supply cord: .....                     | 150.0 cm                   |

HZ636000 Glass pan, HZ664000 Baking and roasting grid (steam), HZ66X600 Decor list, HZ66X650 Cover Strip, HZ6BMA00 Assembly kit for vertical installation, HZ915003 Glass roasting dish, 5,4 L, HZ327000 Baking stone, HZ531010 Baking tray, non-stick ceramic coated, HZ532010 Universal pan, non-stick ceramic coated, HZ617000 Pizza pan, enamelled, HZ625071 Grill tray, enamelled, HZ631070 Baking tray, enamelled, HZ632070 Multipurpose pan, enamelled, HZ634080 Baking and roasting grid (microwave)



## iQ700, Built-in compact oven with microwave function, 60 x 45 cm, Black CM833GBB1A

### Heating Functions

- Compact oven with microwave with 6 heating methods:
- 4D hotAir, Full width grill, 4D HotAir Eco, Half width grill, Hot air grilling, Plate warming setting
- Additional heating methods with microwave: Pure microwave, Combination microwave and conventional oven
- Cavity volume: 45 net usable litres

### Design

- studioLine Black Steel Design
- Cavity inner surface: enamel

### Cleaning

- Child lock, Automatic safety switch-off function, Residual heat indicator, Start button, Door contact switch

### Convenience

- 2,8"-TFT-color and text display with touch-control buttons
- Electronic clock and timer
- Temperature proposal, Residual heat indicator, Actual temperature display
- Drop down door
- Automatic rapid heat up
- LED light
- Integrated cooling fan

### Accessories

- 1 x combination grid, 1 x universal pan

### Safety and Environment

- Door temperature 40 degrees

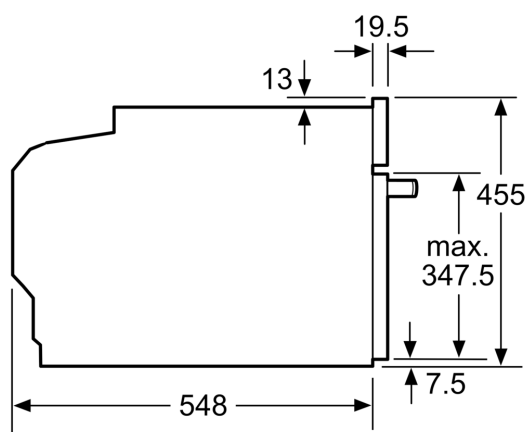
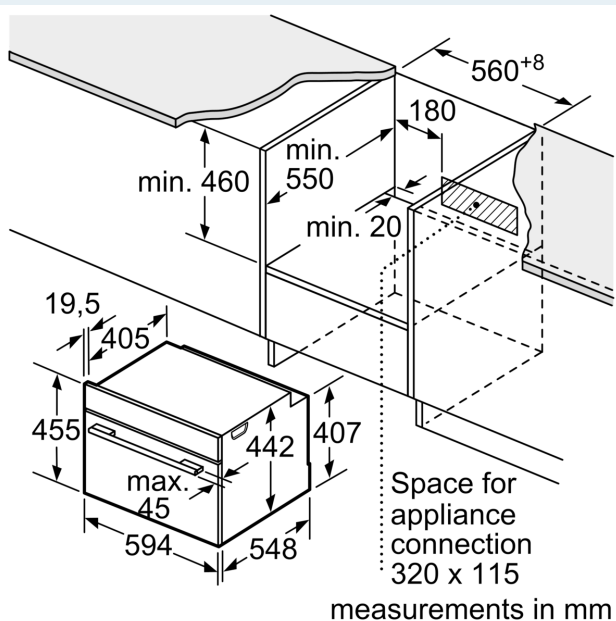
### Technical Info

- Length of mains cable: 150 cm
- Nominal voltage: 220 - 240 V
- Total connected load electric: 3.6 KW

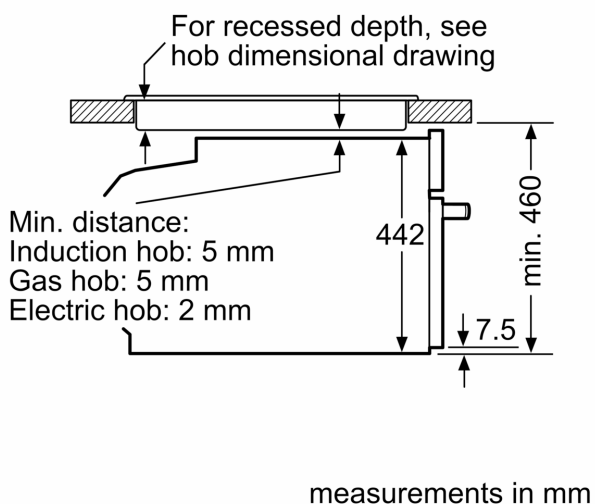
### Dimensions

- Appliance dimensions (HxWxD): 455 mm x 594 mm x 548 mm
- Installation dimensions (HxWxD): 450 mm - 455 mm x 560 mm - 568 mm x 550 mm
- Please reference the built-in dimensions provided in the installation drawing

**iQ700, Built-in compact oven with  
microwave function, 60 x 45 cm,  
Black  
CM833GBB1A**



**Installation with a hob.**



If the compact appliance will be installed underneath a hob, the following worktop thicknesses (including substructure if necessary) must be taken into account.

| Hob type                   | min. worktop thickness |       |
|----------------------------|------------------------|-------|
|                            | fitted                 | flush |
| Induction hob              | 42 mm                  | 43 mm |
| Full surface Induction hob | 52 mm                  | 53 mm |
| Gas hob                    | 32 mm                  | 43 mm |
| Electric hob               | 32 mm                  | 35 mm |

