

iQ700, Compact combination microwave oven, Stainless steel CM656NBS1A



The compact oven with a height of 45 cm with integrated microwave function – the fastest way to achieve perfect baking and roasting results.

- ✓ TFT Touchdisplay: user-friendly menu navigation with good display features.
- ✓ varioSpeed: reduce cooking times by up to 50%.
- ✓ Meals (automatic programs): guaranteed success for numerous dishes.
- ✓ ecoClean Plus: effortless cleaning thanks to a special coating.
- ✓ softMove: gentle opening and closing of the oven door.

Features

Technical Data

Type of micro-wave oven : MW-Combi
 Type of control : Electronic
 Color / Material Front : Stainless steel
 Dimensions of the product (mm) : 455 x 594 x 548
 Cavity dimensions (mm) : 237.0 x 480 x 392.0
 Length electrical supply cord (cm) : 150
 Net weight (kg) : 37.811
 Gross weight (kg) : 40.0
 EAN code : 4242003683217
 Maximum micro-wave power (W) : 900
 Connection Rating (W) : 3600
 Current (A) : 16
 Voltage (V) : 220-240
 Frequency (Hz) : 50; 60
 Plug type : no plug



Included accessories

- 1 x enamel baking tray
- 1 x combination grid
- 1 x universal pan

Optional accessories

- | | |
|----------|--|
| HZ636000 | Glass pan |
| HZ632070 | Multipurpose pan, anthracite enamelled |
| HZ632010 | Universal pan, non-stick coated |
| HZ631070 | Baking tray, anthracite enamelled |
| HZ625071 | Grill tray, anthracite enamelled |
| HZ617000 | Pizza pan, anthracite enamelled |
| HZ327000 | Baking stone |

iQ700, Compact combination microwave oven, Stainless steel CM656NBS1A

Features

Design

- Cavity volume: 45 net usable litres
- Full Color TFT Touchdisplay
- Electronic clock and timer
- Rotary Control
- Anthracite enamel cavity with 3 shelf levels
- LED lighting
- SoftMove oven door with soft open and soft close

Heating Functions

- Temperature range 30 °C - 300 °C
- Compact oven with microwave with 13 heating methods:
 - 4D HotAir
 - 4D HotAir Eco
 - Top/ bottom heating
 - Top/bottom heating Eco
 - Bottom heating
 - Hot air grilling
 - Full width grill
 - Half width grill
 - coolStart (deep-frozen food special)
 - Pizza setting
 - Low temperature cooking
 - Warming
 - Plate warming setting
 - Rapid heating-up
- Additional heating methods with microwave: Pure microwave, Combination microwave and conventional oven
- Max. Power: 1000 W; 5 Microwave power settings (90 W, 180 W, 360 W, 600 W, 1000 W) with Inverter (MW)

Sensor and Automatic Functions

- Meals (automatic programs)

Convenience

- Info button
- 1 level telescopic shelf, partially extendable
- Temperature proposal
- Actual temperature display
- Actual temperature display
- Sabbath setting

Cleaning

- EcoClean Direct : ceiling, back panel, side liners
- ecoClean® self-cleaning function (rear, sides and ceiling)

Safety and Environment

- Quadruple glazed door with heat reflective glass
- Child lock for settings
- Residual heat indicator
- Automatic safety switch-off function
- Integrated cooling fan

Technical Info

- Appliance dimensions (HxWxD): 455 mm x 595 mm x 548 mm
- Installation dimensions (HxWxD): 450 mm - 455 mm x 560 mm - 568 mm x 550 mm
- Total connected load electric: 3.65 KW
- Length of mains cable: 120 cm

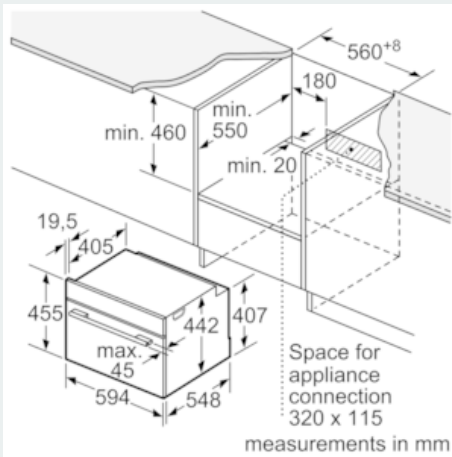
- "Please reference the built-in dimensions provided in the installation drawing"

Accessories

- 1 x combination grid, 1 x enamel baking tray, 1 x universal pan

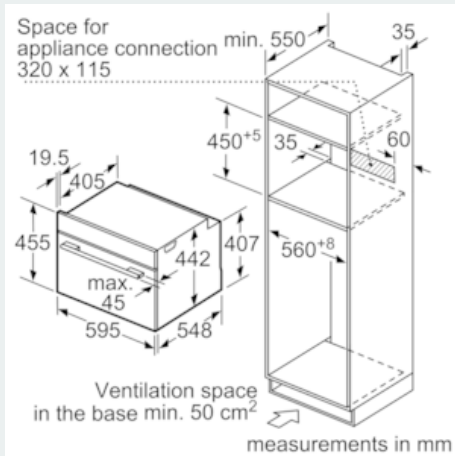
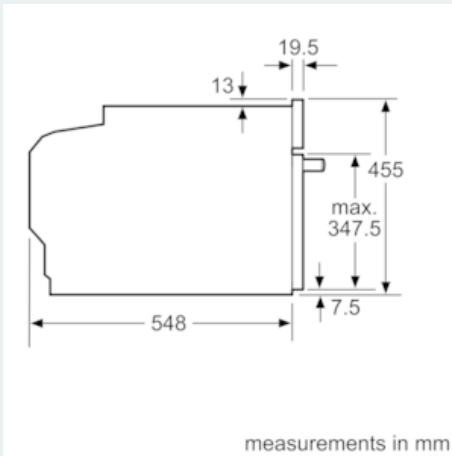
iQ700, Compact combination microwave oven, Stainless steel CM656NBS1A

Dimensioned drawings



If the compact appliance will be installed underneath a hob, the following worktop thicknesses (including substructure if necessary) must be taken into account.

Hob type	min. worktop thickness	
	fitted	flush
Induction hob	42 mm	43 mm
Full surface Induction hob	52 mm	53 mm
Gas hob	32 mm	43 mm
Electric hob	32 mm	35 mm



Installation with a hob.

