

**N 70, Built-in compact oven with  
microwave function, 60 x 45 cm,  
Graphite-Grey  
C24MR21G0B**



Compact built-in oven with microwave - to cook quickly and conveniently in a very small space. Home Connect for control via the App.

- ✓ Combined microwave and oven - the convenient solution to save space and time
- ✓ Inverter Technology - Heat food gradually and evenly.
- ✓ 3,7" Full Touch TFT Display - Intuitive navigation for easy use and complete control.
- ✓ Circo Therm® - Even heat distribution for perfect results on one level.
- ✓ Easy Clean - this cleaning aid provides fast, energy-saving cleaning of the oven interior.

#### Features

##### Technical Data

Type of micro-wave oven : MW-Combi  
 Color / Material Front : Graphite  
 Built-in / Free-standing : Built-in  
 Door opening : Handle  
 Cleaning : Hydrolytic  
 Control Panel Material : Stainless steel  
 Door colour : Black  
 Dimensions (HxWxD) : 455x596x548 mm  
 Dimensions of the packed product (HxWxD) : 530x670x680 mm  
 Required niche size for installation (HxWxD) : 450-455 x 560-568 x 550 mm  
 Cavity dimensions : 237 x 480 x 392 mm  
 Cavity capacity : 45 l  
 Maximum micro-wave power : 900 W  
 Number of interior lights : 1  
 Net weight : 32.4 kg  
 Gross weight : 34.9 kg  
 EAN code : 4242004266471  
 Connection Rating : 3600 W  
 Fuse protection : 16 A  
 Voltage : 220-240 V  
 Frequency : 50 Hz  
 Length electrical supply cord : 150 cm

#### Optional accessories

Z12CM10A0	Moussaka pan, anthracite enamelled
Z13CV06S0	Decor strip
Z1650BE0	Half tray
Z1655CA0	Air Fry & Grill tray
Z1913X0	Baking Stone



4 242004 266471

# N 70, Built-in compact oven with microwave function, 60 x 45 cm, Graphite-Grey C24MR21G0B

## Features

### Heating Functions

- Compact oven with microwave with 17 heating methods: Top/bottom heating, Circo-roasting, Full surface grill, Centre area grill, Bottom heating, Dough proving, Plate warming, Top/bottom heating gentle, Hotair, Air fry, Pure microwave, Hotair + microwave, Top/bottom heat + microwave, grill + microwave, half width grill + microwave, hotair grilling + microwave
- Heating methods only via Home Connect App: let rest, preheating
- Max. Power: 900 W; 5 Microwave power settings (90 W, 180 W, 360 W, 600 W, boost) with Inverter (MW)
- Intelligent inverter technology: maximum output power will be regulated to 600 W when used in longer operation
- Temperature range 30 °C - 230 °C
- Cavity volume: 45 net usable litres

### Racks and Rails

- Number of shelf levels: 3

### Design

- Graphite-Grey Edition
- ShiftControl
- Cavity inner surface: enamel

### Cleaning

- EasyClean® program

### Convenience

- Cooking Assistant
- 3.7" Full Touch TFT Display
- Electronic clock with start / stop function
- Automatic temperature proposal, Actual temperature display, Optical temperature control
- Drop down door
- SoftOpen door
- Automatic Meal Settings
- LED light
- Cooling fan
- HomeConnect

### Accessories

- 1 x combination grid, 1 x universal pan

### Safety Features

- Low door temperature
- Triple glazed door
- Individual adjustable child lock, Safety switch off, Residual heat indicator, Start button, Door contact switch

### Technical Information

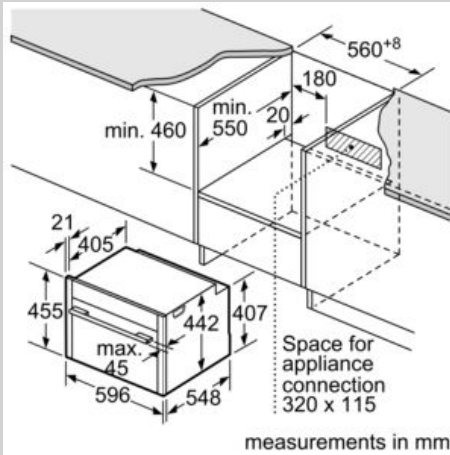
- Length of mains cable: 150 cm
- Nominal voltage: 220 - 240 V
- Total connected load electric: 3.6 KW

### Dimensions

- Appliance dimensions (HxWxD): 455 mm x 596 mm x 548 mm
- Installation dimensions (HxWxD): 450 mm - 455 mm x 560 mm - 568 mm x 550 mm
- Please reference the built-in dimensions provided in the installation drawing
- We recommend you to choose complementary products within N70, in order to assure an optimal design combination of your Built-In appliances.

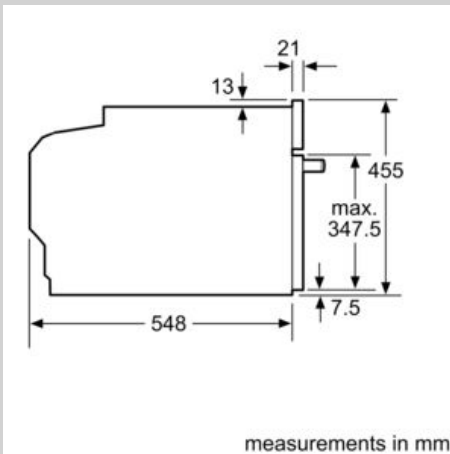
# N 70, Built-in compact oven with microwave function, 60 x 45 cm, Graphite-Grey C24MR21G0B

## Dimensioned drawings

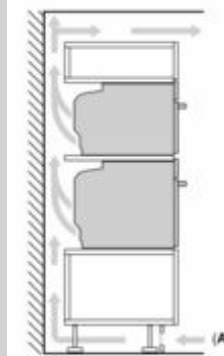


If the compact appliance will be installed underneath a hob, the following worktop thicknesses (including substructure if necessary) must be taken into account.

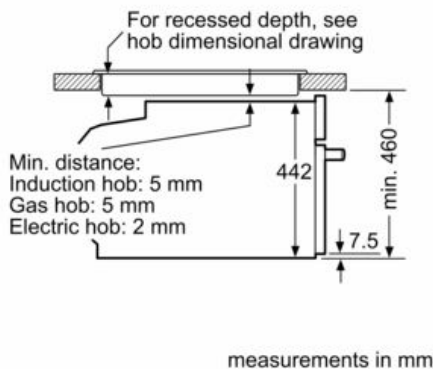
Hob type	min. worktop thickness	
	fitted	flush
Induction hob	42 mm	43 mm
Full surface Induction hob	52 mm	53 mm
Gas hob	32 mm	43 mm
Electric hob	32 mm	35 mm



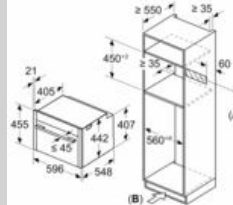
Installing two appliances on top of each other  
Air exchange



Installation with a hob.



Measurements in mm



A: Space for appliance connection  
320 x 115 mm

B: Ventilation space in the base  $\geq$   
200 cm<sup>2</sup>