

## iQ700, Built-in vacuum drawer, 60 x 14 cm, Black BV830ENB1



HEZ32WA00 Wireless food thermometer

Vacuum drawer: For long-lasting enjoyment.

✓ push&pull – No-handle drawer that’s easy to open and close.

Color / Material Front: ..... Black  
Built-in / Free-standing: ..... Built-in  
Dimensions (HxWxD): ..... 140 x 595 x 542 mm  
Dimensions of the packed product: ..... 230 x 660 x 660 mm  
Min. required niche size for installation (HxWxD): .. 141 x 560 x 550 mm  
Net weight: ..... 32.2 kg  
Gross weight: ..... 34.1 kg  
EAN code: ..... 4242003788066  
Fuse protection: ..... 6 A  
Voltage: ..... 220-240 V  
Frequency: ..... 50; 60 Hz



## iQ700, Built-in vacuum drawer, 60 x 14 cm, Black BV830ENB1

- 3 vacuuming levels for vacuuming in the chamber, max. 99%
- 3 vacuuming levels for vacuuming outside the chamber, max. 90%

### Convenience

- Touch key operation
- Automatic connection recognition for vacuuming outside the chamber
- Drying program for vacuuming pump

### Accessories

- 1 x Adaptor f. vacuuming outside the chamber, 50 x Vacuuming bag, big, 50 x Vacuuming bag, small, 1 x Vacuuming hose

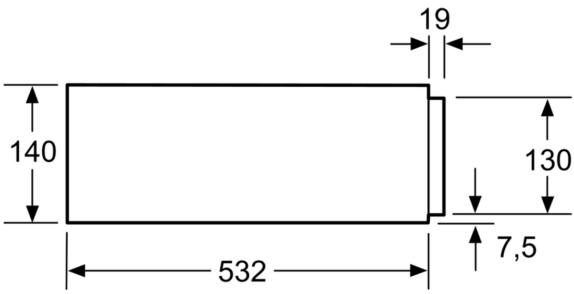
### Safety and Environment

- Door contact switch

### Technical Info

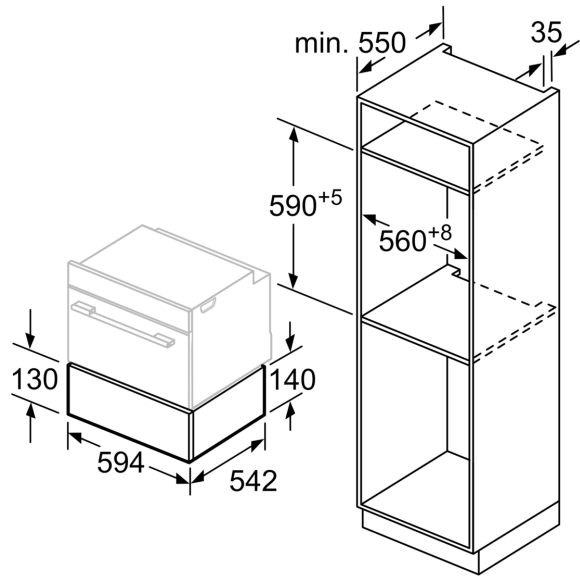
- Length of mains cable: 150 cm
- Appliance dimensions (HxWxD): 140 mm x 595 mm x 542 mm
- Installation dimensions (HxWxD): 141 mm x 560 mm - 568 mm x 550 mm

**iQ700, Built-in vacuum drawer, 60  
x 14 cm, Black  
BV830ENB1**



Compact ovens with an appliance height of 455 mm can be installed above a vacuum sealing drawer. An intermediate floor is not required.

measurements in mm



measurements in mm