

iQ700, Built-in warming drawer, 60 x 29 cm, Stainless steel
BI630DNS1A



The warming drawer is perfect for preheating crockery, for keeping foods warm and for gentle cooking.

- ✓ push&pull – No-handle drawer that's easy to open and close.
- ✓ The heated sheet admits a regulation in four temperature levels from 40°-80°C glass surface temperature

Features

Technical Data

Built-in / Free-standing : Built-in
Color / Material Front : Black, Stainless steel
Maximum number of plates : 40
Maximum number of espresso cups : 192
Dimensions of the packed product (HxWxD) : 350 x 650 x 660 mm
Required niche size for installation (HxWxD) : 290 x 560 x 550 mm
EAN code : 4242003676622
Electrical connection rating : 810 W
Fuse protection : 10 A
Voltage : 220-240 V
Frequency : 60; 50 Hz
Plug type : AU plug



iQ700, Built-in warming drawer, 60 x 29 cm, Stainless steel BI630DNS1A

Features

Design

- Cavity volume: 52 net usable litres
- Telescopic pull-out drawer
- Heating plate made of toughened glass

Heating Functions

- Temperature control with 4 levels: 40 °C - 80 °C (glass surface temperature)
- Suitable for:
 - - Pre-warming of crockery
 - - Keeping drinks and food warm
 - - Dough proving
 - - Defrosting
 - - Slow cooking

Convenience

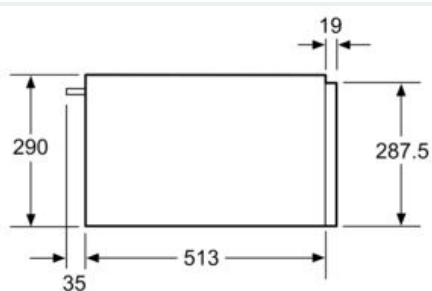
- Max. loading espresso cups: 192 PC or Max. loading plates: 40 PC
- 290 mm height

Technical Info

- Appliance dimensions (HxWxD): 290 mm x 594 mm x 548 mm
- Installation dimensions (HxWxD): 290 mm x 560 mm - 568 mm x 550 mm
- Max weight up to 25 kg
- Connected load: 0.81 KW
- Length of mains cable: 150 cm

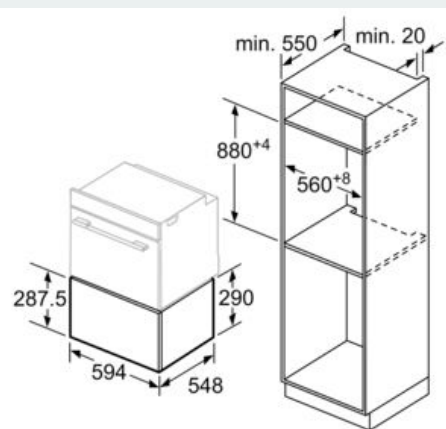
**iQ700, Built-in warming drawer, 60 x
29 cm, Stainless steel
BI630DNS1A**

Dimensioned drawings



Ovens with an appliance height of 595 mm can be installed above a warming drawer. An intermediate floor is not required.

measurements in mm



measurements in mm