

N 70, BUILT-IN OVEN, 60 X 60 CM,
GRAPHITE-GREY
B54CR71G0B



Built-in oven with Slide & Hide® - an easy to handle door that gently disappears under the oven. Home Connect - control your oven via the App.

- ✓ Circo Therm – smart hot-air solution that lets you bake on up to three levels at once.
- ✓ Slide & Hide® - An easy to handle door that disappears under the oven for unrestricted access.
- ✓ 3,7" Full Touch TFT Display - Intuitive navigation for easy use and complete control.
- ✓ Pyrolytic Self-Cleaning with Easy Clean: The best duo for optimal cleaning.
- ✓ Cooking Assistant: Get cooking easier! Suggests settings or automatic programmes.

Z11AU15A0	Universal pan, non-stick ceramic coated
Z12CM10A0	Moussaka pan, enamelled
Z1365WX0	Wireless food thermometer
Z13CR10X0	Baking and roasting grid (steam)
Z13CV06S0	Decor strip
Z1608CX0	Full ext rails, level independent, pyro
Z1650BE0	Half tray
Z1655CA0	Air Fry & Grill tray
Z166CAX0	SC FlexDesign mounting kit
Z1913X0	Baking Stone

Color / Material Front: Graphite-Grey
 Built-in / Free-standing: Built-in
 Door opening: Drop down
 Cleaning : Pyrolytic+Hydrolytic
 Control Panel Material: Stainless steel
 Door Material: Glass
 Dimensions (HxWxD): 595x596x548 mm
 Dimensions of the packed product (HxWxD):670x660x690 mm
 Required niche size for installation (HxWxD): 585-595 x 560-568 x 550 mm
 Cavity dimensions: 357 x 480 x 415 mm
 Usable volume of cavity:71 l
 Net weight: 38.7 kg
 Gross weight:41.6 kg
 EAN code:4242004265924
 Connection Rating: 3600 W
 Fuse protection:16 A
 Voltage: 220-240 V
 Frequency: 50; 60 Hz
 Length electrical supply cord: 120 cm



N 70, BUILT-IN OVEN, 60 X 60 CM,
GRAPHITE-GREY
B54CR71G0B

Heating Functions

- Oven with 15 cooking functions: CircoTherm®, Top/bottom heating, Circo-roasting, Full surface grill, Centre area grill, Pizza Setting, Bread Baking, Bottom heating, Low temperature cooking, Dough proving, Plate warming, Keep warm, CircoTherm® gentle, Top/bottom heating gentle, Air fry
- Heating methods only via Home Connect App: let rest, preheating
- Temperature range 30 °C - 275 °C
- Cavity volume: 71 net usable litres

Racks and Rails

- Number of shelf levels: 4
- Large capacity oven with shelf supports, Telescopic shelf rails available as optional accessory, pyrolytic proof

Design

- Graphite-Grey Edition
- ShiftControl
- Cavity inner surface: enamel

Cleaning

- Pyrolytic self cleaning
- EasyClean® program
- Full glass inner door - safer touch door

Convenience

- Cooking Assistant
- 3.7" Full Touch TFT Display
- Electronic clock with start / stop function
- Automatic temperature proposal, Actual temperature display, Optical temperature control
- Hide®, the fully retracting oven door
- Slide®, the revolving handle
- SoftOpen
- Automatic Meal Settings
- Rapid heat-up
- LED light
- Cooling fan
- HomeConnect

Accessories

- 2 x combination grid, 1 x universal pan

Safety Features

- Maximum door temperature 30° C
- Quadruple glazed CoolTouch door
- Automatic door lock during pyrolysis, Individual adjustable child lock, Safety switch off, Residual heat indicator, Start button, Door contact switch

Technical Information

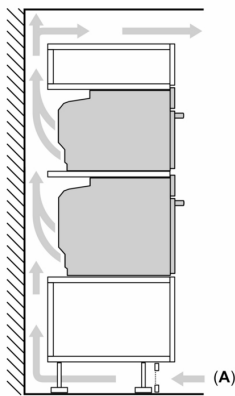
- Length of mains cable: 120 cm
- Nominal voltage: 220 - 240 V
- Total connected load electric: 3.6 KW

Dimensions

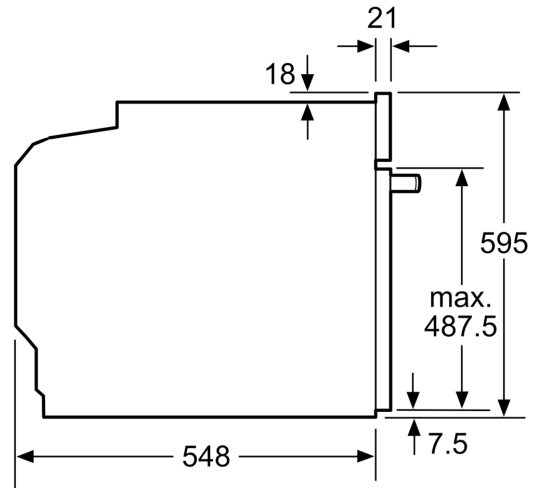
- Appliance dimensions (HxWxD): 595 mm x 596 mm x 548 mm
- Installation dimensions (HxWxD): 585 mm - 595 mm x 560 mm - 568 mm x 550 mm
- Please reference the built-in dimensions provided in the installation drawing

N 70, BUILT-IN OVEN, 60 X 60 CM,
GRAPHITE-GREY
B54CR71G0B

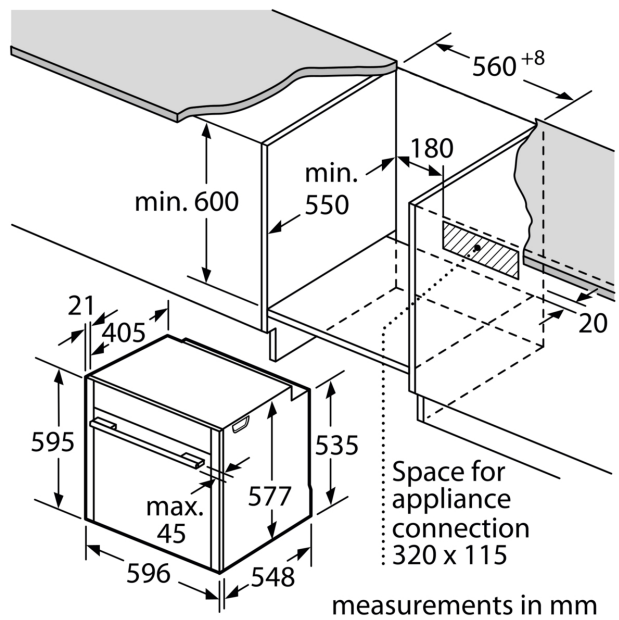
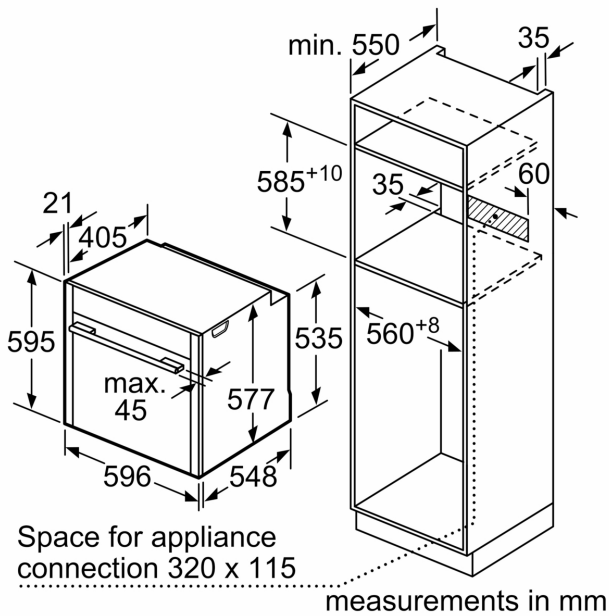
Installing two appliances on top of each other
Air exchange



A: Air inlet $\geq 200 \text{ cm}^2$



measurements in mm



If the appliance will be installed underneath a hob, the following worktop thicknesses (including substructure if necessary) must be taken into account.

Hob type	min. worktop thickness	
	fitted	flush
Induction hob	37 mm	38 mm
Full surface Induction hob	47 mm	48 mm
Gas hob	30 mm	38 mm
Electric hob	27 mm	30 mm