

**Series 2, Gas built-in oven, 90 x 60 cm, Stainless steel  
VGD011BR0M**



**Included accessories**  
1 x enamel baking tray  
1 x grid

- **90 cm built-in gas oven with Feature lookup is not resolving heating methods:** Brandlookup is not resolving
- **Cavity volume:** 92 l
- **Cavity volume:** 92 l
- Integral cooling fan
- 1 x enamel baking tray, 1 x grid
- **Length of mains cable:** 115 cm
- **Length of mains cable:** 115 cm

**Technical Data**

Gross weight : 60.0 kg  
 Color / Material Front : Stainless steel  
 Built-in / Free-standing : Built-in  
 Integrated Cleaning system : Catalytic partial  
 Min. required niche size for installation (HxWxD) : 600-604 x 860-864 x 560 mm  
 Dimensions : 594 x 896 x 570 mm  
 Dimensions of the packed product (HxWxD) : 690 x 680 x 960 mm  
 Control Panel Material : brushed stainless steel  
 Door Material : Glass  
 Net weight : 50.8 kg  
 Usable volume of cavity : 92 l  
 Cooking method : Full-surface grill/broiler, Gas bottom heating  
 First cavity material : Other  
 Length electrical supply cord : 115.0 cm  
 Included accessories : 1 x enamel baking tray, 1 x grid  
 Broil Element Wattages cavity 1 : 3000 W  
 Energy efficiency rating : A  
 Energy consumption gas oven per cycle conventional (2010/30/EC) : 8.10 MJ/cycle  
 Energy consumption gas oven per cycle forced air convection (2010/30/EC) : 8.90 MJ/cycle  
 Energy efficiency index (2010/30/EC) : 106.9 %  
 Connection Rating : 130 W  
 Fuse protection : 16 A  
 Voltage : 220-240 V  
 Frequency : 50; 60 Hz  
 Plug type : no plug  
 Color / Material Front : Stainless steel  
 Energy input : Gas  
 Required cutout/niche size for installation (in) : x x  
 Dimensions of the packed product : 27.16 x 37.79 x 26.77  
 Net weight : 112.000 lbs  
 Gross weight : 132.000 lbs  
 Length electrical supply cord : 115.0 cm  
 Net weight : 50.8 kg  
 Included accessories : 1 x enamel baking tray, 1 x grid



## **Series 2, Gas built-in oven, 90 x 60 cm, Stainless steel VGD011BR0M**

---

**Type of oven / heating system:**

- Cavity volume: 92 l

**Cleaning:****Comfort:**

- Integral cooling fan

**Accessory:**

- 1 x enamel baking tray, 1 x grid

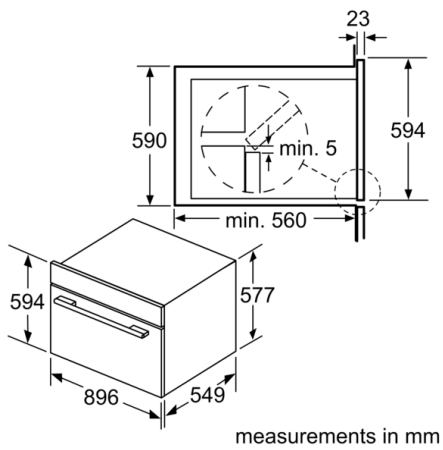
**Environment and Safety:****Technical Info:**

- Length of mains cable: 115 cm
- Nominal voltage: 220 - 240 V
- Total connected load electric: 0.13 KW

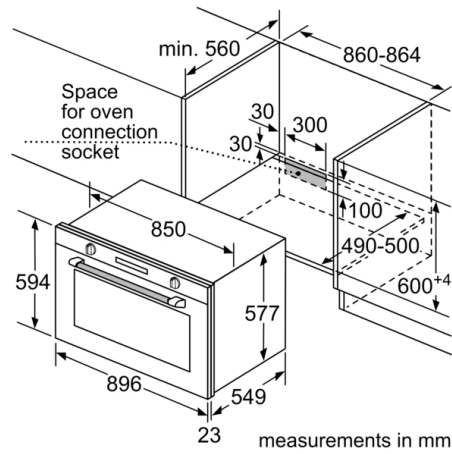
**Dimensions:**

- Appliance dimension (hxwxd): 594 mm x 896 mm x 570 mm
- Niche dimension (hxwxd): 600 mm - 604 mm x 860 mm - 864 mm x 560 mm
- "Please reference the built-in dimensions provided in the installation drawing"

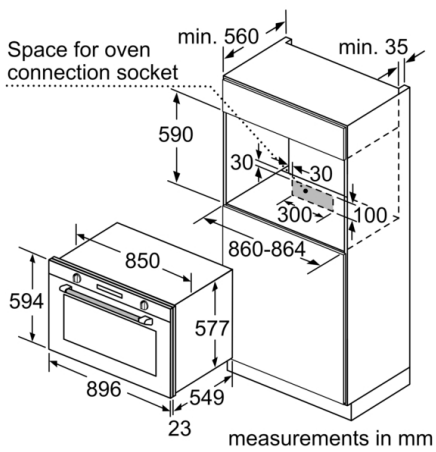
**Series 2, Gas built-in oven, 90 x 60 cm,  
Stainless steel  
VGD011BR0M**



measurements in mm



measurements in mm



measurements in mm