

## iQ300, fully-integrated dishwasher, 60 cm SN66D010GC



speedMatic dishwasher with varioSpeed for faster washing as well as the varioFlex basket and varioDrawer for greater flexibility and more convenient loading.

- ✓ varioSpeed – up to 50% faster dishwashing in almost all cycles.
- ✓ infoLight shines with a blue light on the kitchen floor when running but goes out when the washing and drying cycle is over.
- ✓ rackMatic lets you easily adjust the top rack to one of three heights.
- ✓ At the press of a button, the autoProgramme controls the entire dishwashing process for brilliant results.
- ✓ aquaStop for a lifetime guarantee against water damage.

SZ30BI02	decorative strips stainless steel 81,5cm
SZ38BI00	Connection rail for divided furniture
SZ72010	inlet and outlet hose extension 2 m
SZ73000	Dishwashing aid set
SZ73001	Silver polishing cassette
SZ73010	Retractable hinge f. high corpus dimens.
SZ73056	Attachment door, brushed steel
SZ73100	cutlery basket
SZ73300	Wineglass-Tray
SZ73640	Rack insert for stemware dishwasher

Maximum number of place settings (EU 2017/1369): ..... 12  
 The water consumption of the eco programme in liters per cycle (EU 2017/1369): ..... 10.4 l  
 Water consumption: ..... 10.4 l  
 Total annual energy consumption 220 days: ..... 194 kWh  
 Total annual water consumption 220 days: ..... 2288 l  
 Installation type: ..... Built-in  
 Removable top: ..... No  
 Door panel options: ..... Not possible  
 Height with worktop: ..... 0 mm  
 Height of the appliance: ..... 815 mm  
 Adjustable feet: ..... Yes - all from front  
 Maximum adjustability feet: ..... 60 mm  
 Adjustable plinth: ..... Both horizontal and vertical  
 Net weight: ..... 34.5 kg  
 Gross weight: ..... 36.4 kg  
 Connection rating: ..... 2400 W  
 Fuse protection: ..... 13 A  
 Voltage: ..... 220-240 V  
 Frequency: ..... 50; 60 Hz  
 Length electrical supply cord: ..... 175.0 cm  
 Plug type: ..... GB plug  
 Length inlet hose: ..... 165 cm  
 Length outlet hose: ..... 190 cm  
 Hidden heating element: ..... Yes  
 Water protection system description: ..... Triple water protection 24h  
 Child safety devices: ..... Childlock appliance  
 Water softener: ..... Yes  
 Top basket type: ..... low  
 Adjustable upper basket: ..... Rackmatic 3-stage  
 Bottom basket type: ..... low  
 3rd Rack: ..... None  
 Optional accessories: ..... SZ30BI02, SZ38BI00, SZ72010, SZ73000, SZ73001, SZ73010, SZ73056, SZ73100, SZ73300, SZ73640  
 Included accessories 2: ..... steam protection  
 Number of place settings: ..... 12  
 Dimensions of the product (HxWxD): ..... 815 x 598 x 550 mm  
 Dimensions of the packed product (HxWxD): ... 855 x 645 x 665 mm



## iQ300, fully-integrated dishwasher, 60 cm SN66D010GC

- SN66D010GC
- Fully integrated

### General Specification

- 12 place settings place settings
- Energy consumption in programme Eco 50: 247 kWh per year, based on 280 standard cleaning cycles using cold water fill and the consumption of the low power modes. Actual energy consumption will depend on how the appliance is used.
- Energy consumption in programme Eco 50: 0.881 kWh
- Water consumption in programme Eco 50: 2912 litres per year, based on 280 standard cleaning cycles. Actual water consumption will depend on how the appliance is used.
- The information relates to the programme Eco 50. This programme is suitable to clean normally soiled tableware and is the most efficient programme in terms of combined energy and water consumption.
- Programme time in programme Eco 50: 210 min

### Programmes

- 6 programmes: Intensive 70 °C, Auto 45-65 °C,
- Eco 50 °C, Glass 40 °C, Quick wash 65 °C, Quick wash 45 °C

### Safety

- 5 cleaning temperatures
- speedMatic hydraulic system
- DosageAssist
- BLDC motor for heat and drain pump
- AquaSensor®
- Alternating spray technique
- Self-cleaning filter system with 3-fold corrugated filter
- Stainless steel/Polinox
- Push button top controls
- Acoustic end of cycle indicator
- Infolight blue
- LED colour on indicators red/-
- LED salt refill indicator
- LED rinse aid refill indicator
- vario basket system
- rackMatic height-adjustable top basket (3 stage)
- 2 foldable plate racks in bottom basket

### Baskets & Racks

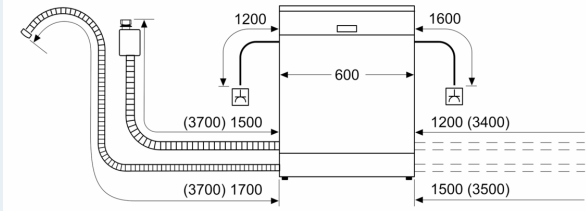
- aquaStop with guarantee - Prevent Water Leakage
- Childproof door lock
- Servo lock for effortless door closing
- Glass care protection system
- Front-adjustable rear foot
- Inclusive Steam protection plate

### Features

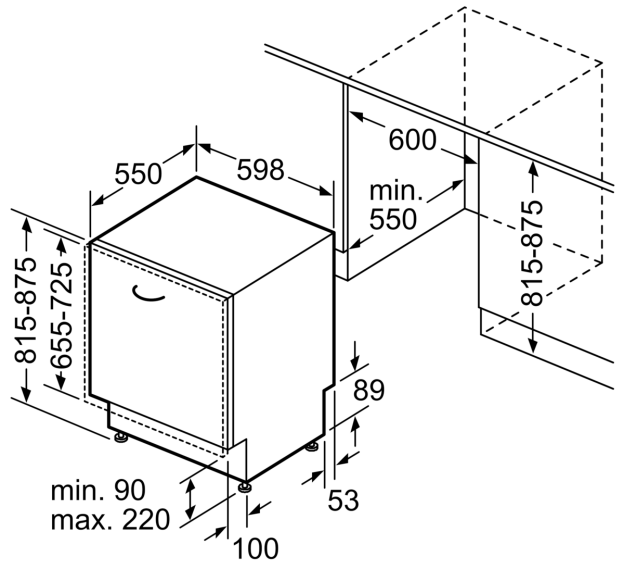
- Dimensions of the product (HxWxD): 81.5 x 59.8 x 55 cm

iQ300, fully-integrated  
dishwasher, 60 cm  
SN66D010GC

measurements in mm



⚡ socket  
( ) values with extension kit



measurements in mm