

**Series 6, built-in fridge, 177.5 x 56 cm, flat hinge
KIR81AF30M**



KSZ10020 Bottle Rack

- **LED light:** illuminates the refrigerator evenly without glare, lasts for the life of the appliance.
- **EasyAccess Shelf:** retractable glass shelf for convenient loading and unloading and a perfect view.
- **VarioShelf:** space for bottles and bowls with sectioned glass shelves that can be separated and slid underneath.
- **SuperCooling:** cools new food placed inside faster, thus protecting already cooled food.
- **SuperCooling quickly chills food and beverages with a touch of a button**

Gross weight:	147.000 lbs
Built-in / Free-standing:	Built-in
Number of compressors:	1
Number of independent cooling systems:	1
Width of the appliance:	558 mm
Height:	1772 mm
Depth of the product:	545 mm
Net weight:	61.6 kg
Min. required niche size for installation (HxWxD):	1775.0 x 560 x 550 mm
Door panel options:	Not possible
Door hinge:	Right reversible
Number of Adjustable Shelves in fridge compartment:	6
Shelves for Bottles:	Yes
Frost free system:	Yes
Interior ventilator:	Yes
Reversible Door Hinge:	Yes
Length electrical supply cord:	230.0 cm
Noise level:	37 dB(A) re 1 pW
Multi-Flow Air Tower:	No
Economy setting:	No
Cold technology:	1 compressor/1 cold circuit
Fast cooling switch:	Yes
Temperature Controlled Drawer:	No
Humidity Control Drawer:	Yes
Number of Door Bins - Refrigerator:	5
Door bin adjustability - Refrigerator:	Yes
Tilt-out door bins in fridge:	No
Gallon Storage:	Yes
Number of Gallon storage:	2
Motorized Shelf:	No
Material of the shelves:	Glas, plastic
Door opened indicator freezer:	No
Connection rating:	90 W
Fuse protection:	10 A
Voltage:	220-240 V
Frequency:	50 Hz
Door panel options:	Not possible
Installation typology:	Integrated
Noise level:	37 dB(A) re 1 pW
Energy Star Qualified:	No
Plug type:	GB plug
Required cutout/niche size for installation (in):	x
Dimensions of the packed product:	72.45 x 24.01 x 25.19
Net weight:	136.000 lbs



Series 6, built-in fridge, 177.5 x 56 cm, flat hinge KIR81AF30M

- Easy Installation

Performance and consumption

- Energy Efficiency Class: No
- Total capacity: 321 litres
- Airborne acoustical noise emissions: 37 dB dB(A) re 1 pW
- Climate Class SN-T

Design

Comfort and Safety

- 7 segment electronic control
- Constant temperature by intelligent sensor technology
- Automatic defrost in fridge section
- Supercool function with automatic deactivation
- Acoustic warning system

Fridge Section

- Capacity refrigeration zone: 321 litres
- 7 safety glass shelves (6 height adjustable), of which Base plates, 2 glass plates extendible
- 6 door bins, there of 1x dairy compartment

Freshness System

Dimensions

- Dimensions: H 177.2 cm x L 55.8 cm x D 54.5 cm
- Gross capacity, total: 321 l
- Gross capacity cooling 321 l

Technical Information

- Door right hinged, reversible Door
- Connection load: 90 W
- Rated Voltage 220 - 240 V

Accessories

- bottle holder

Highlights

- 1cont. hydrofresh w tel. rails - keeps fruit and vegetables up to 2 x longer fresh!
- Vario shelf - individually variable for ideal use of space
- Easy access shelf - easy access and everything in sight
- touch control - enduring elegance - perfectly under control!

Country Specific Options

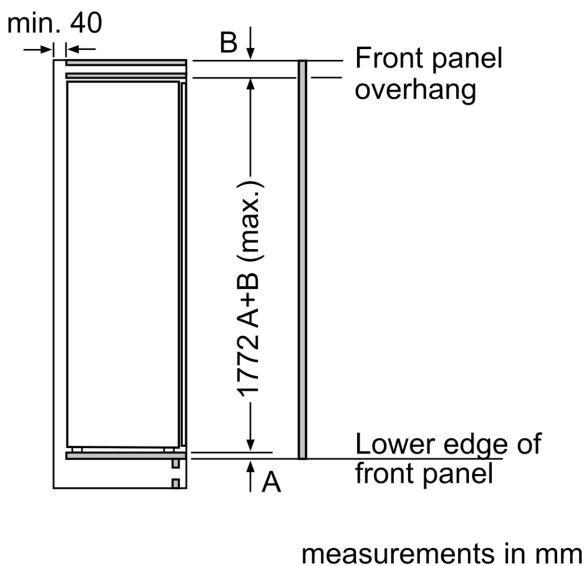
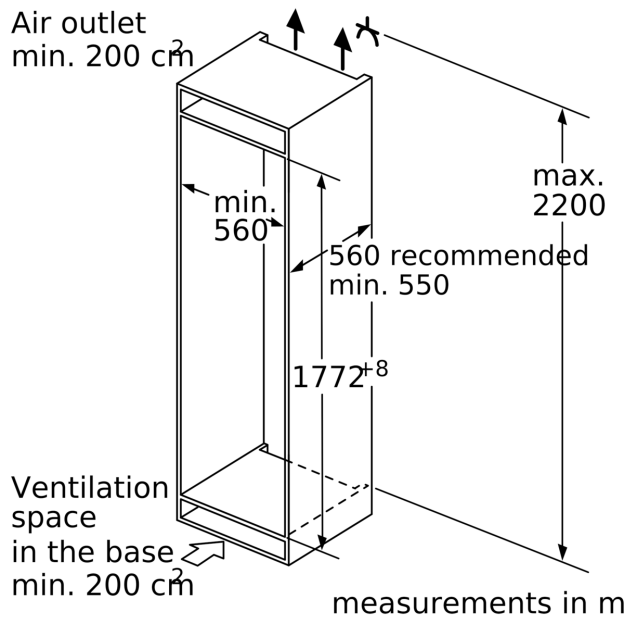
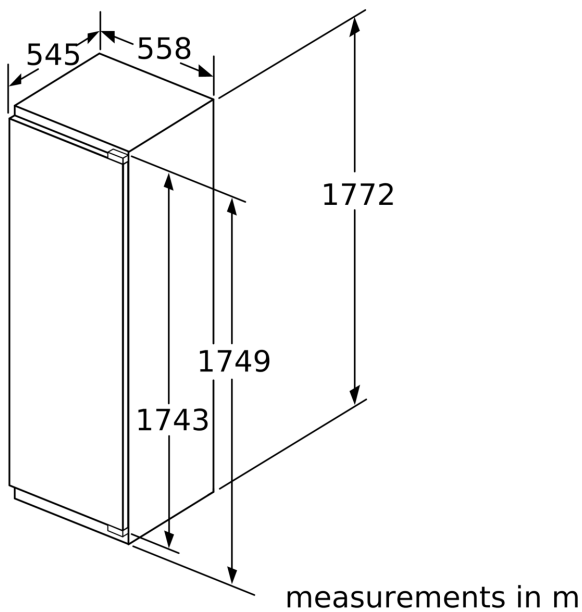
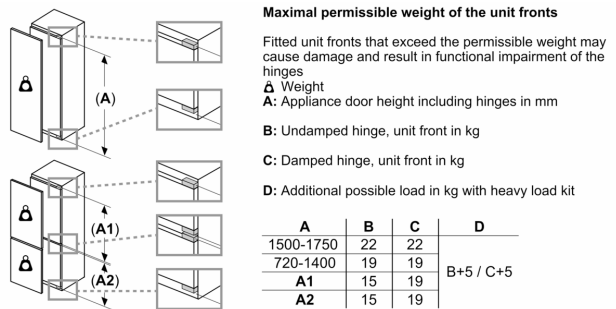
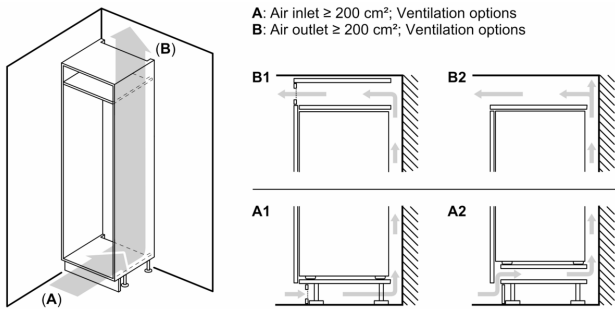
- Based on the results of the standard 25-hour test. Actual consumption depends on usage/position of the appliance.

Environment and Safety

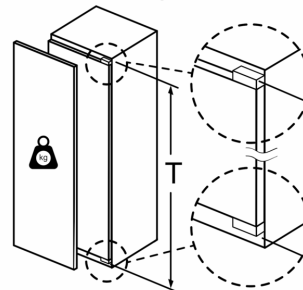
Dimension and installation

Main Features

**Series 6, built-in fridge, 177.5 x 56 cm, flat hinge
KIR81AF30M**



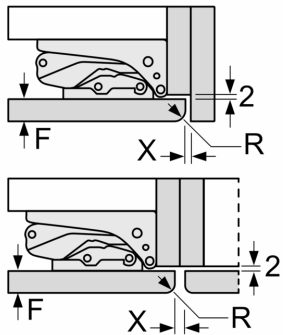
Maximal permissible weight of the unit fronts



Fitted kitchen unit doors that exceed the permissible weight may cause damage and result in functional impairment of the hinges.

T: Includes height of appliance door Hinges in mm:	undamped hinge, Door in kg:	damped hinge, Door in kg:
1500-1750	22	22

measurements in mm
 Recommended gap dimensions for flat hinges



	F	R	X
16-19	0-3	2.5	
	20	0-1	3
21	2-3	2.5	
	21	0-1	3
22	2-3	2.5	
	22	0	4
		1	3.5
	2-3	3	

The gap dimensions recommended in the table must be adhered to in order to ensure that appliance doors do not collide with anything when they are opened, and to avoid causing damage to kitchen units.