

**iQ300, built-in fridge-freezer with freezer at bottom, 177.2 x 54.1 cm, sliding hinge KI87VVS30M**



KS10Z020 Bottle Rack

**built-in-fridge-freezer with energy efficiency class A++ and 3 practical freezer Fresh Boxes**

- ✓ Less frost formation and faster defrosting with lowFrost.
- ✓ The LED lights up the interior brightly and evenly, without dazzling.
- ✓ The safetyGlass shelves are of extra strong, easy-cleaning safety glass.
- ✓ All freezer drawers and glass shelves can be removed easily. varioZone lets you organize the space flexibly.
- ✓ The superFreezing button reduces the temperature for a set time, to quickly freeze newly added food items.

Installation type: .....	Built-in
Number of compressors: .....	1
Number of independent cooling systems: .....	1
Width of the appliance: .....	541 mm
Height: .....	1772 mm
Depth: .....	545 mm
Net weight: .....	62.0 kg
Min. required niche size for installation (HxWxD): ....	1775.0 x 560 x 550 mm
Door panel options: .....	Not possible
Door opening: .....	Right reversible
Number of Adjustable Shelves in fridge compartment: .....	4
Shelves for Bottles: .....	No
Frost free system: .....	No
Interior ventilator: .....	No
Reversible Door Hinge: .....	Yes
Length electrical supply cord: .....	230.0 cm
Noise level: .....	38 dB(A) re 1 pW
Multi-Flow Air Tower: .....	No
Fast cooling switch: .....	No
Fast freezing switch: .....	No
Temperature Controlled Drawer: .....	No
Humidity Control Drawer: .....	No
Number of Door Bins - Refrigerator: .....	5
Door bin adjustability - Refrigerator: .....	Yes
Tilt-out door bins in fridge: .....	Yes
Gallon Storage: .....	Yes
Number of Gallon storage: .....	1
Motorized Shelf: .....	No
Material of the shelves: .....	Safety glass
Door opened indicator freezer: .....	No
Automatic motor-driven ice-maker: .....	No
Connection rating: .....	90 W
Fuse protection: .....	10 A
Voltage: .....	220-240 V
Frequency: .....	50 Hz
Storage Period in Event of Power Failure (h): .....	26 h
Door panel options: .....	Not possible
Noise level: .....	38 dB(A) re 1 pW
Energy Star Qualified: .....	No
Plug type: .....	GB plug
Required cutout/niche size for installation (in): .....	x
Dimensions of the packed product: .....	72.45 x 24.01 x 25.19
Net weight: .....	137.000 lbs
Gross weight: .....	148.000 lbs



## iQ300, built-in fridge-freezer with freezer at bottom, 177.2 x 54.1 cm, sliding hinge KI87VVS30M

- easy Installation

### Performance and consumption

- Total capacity: 274 litres
- Airborne acoustical noise emissions: 38 dB dB(A) re 1 pW
- Climate Class SN-T

### Design

- LED interior light in fridge section

### Comfort and Safety

- LED electronic control
- Constant temperature by intelligent sensor technology
- 1 compressor/1 cold circuit
- Automatic deactivation

### Fridge Section

- Capacity refrigeration zone: 210 litres
- 5 safety glass shelves of which 4 are height adjustable
- 5 door bins

### Freshness System

- Vegetable container with wavy bottom

### Freezer Section

- Freezer capacity: 64 litres
- Freezing capacity: 3 kg in 24 hours
- Storage time in power failure: 26 Hours
- Safety glass
- 2 transparent freezer drawers, incl. 1
- Freezing calendar

### Dimensions

- Dimensions: H 177.2 cm x L 54.1 cm x D 54.5 cm

### Technical Information

- Door right hinged, reversible Door
- Connection load: 90 W
- Rated Voltage 220 - 240 V
- Transportation handles

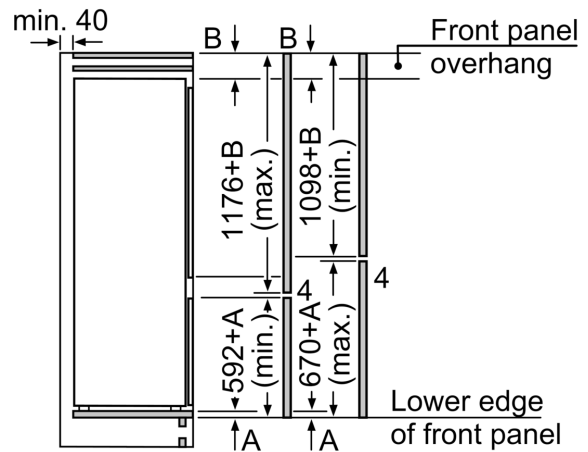
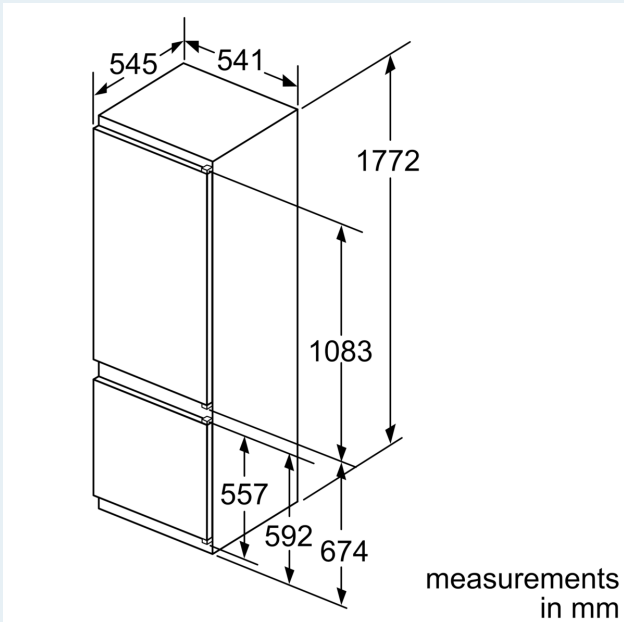
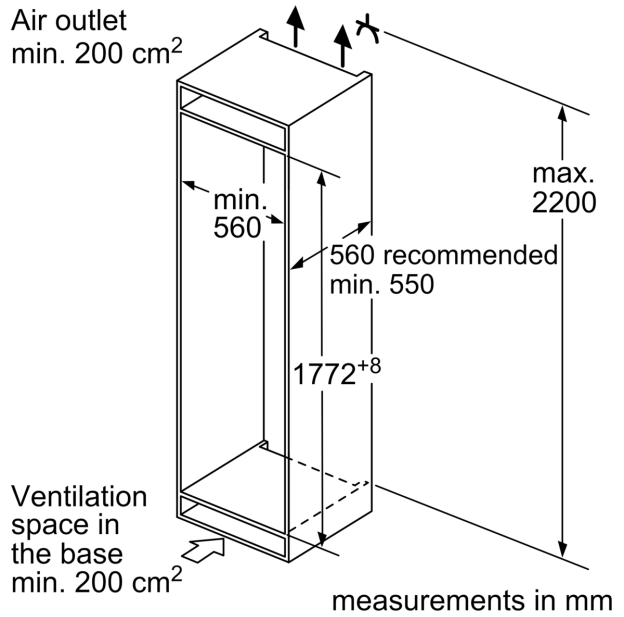
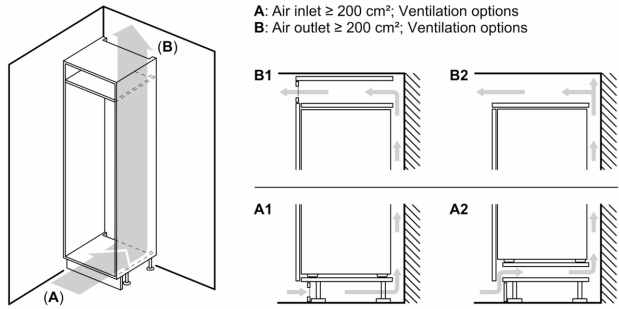
### Accessories

- 2 x cold accumulator, 2 x egg tray, 1 x ice cube tray

### Country Specific Options

- Based on the results of the standard 25-hour test. Actual consumption depends on usage/position of the appliance.
- Gross capacity, total: 274 l
- Gross capacity cooling 210 l
- Gross capacity\*\*\*\* freezer: 64 l (-18°C and below)

iQ300, built-in fridge-freezer with freezer at bottom, 177.2 x 54.1 cm, sliding hinge KI87VVS30M



The specified unit door dimensions are valid for a door gap of 4 mm.

measurements in mm