

iQ500, Built-in oven with added steam function, 60 x 60 cm, Black HI257JYB0M



- ✓ Reach the required baking temperature sooner - fastPreheat.
- ✓ 3D hotAir plus: perfect baking results on up to 3 shelves thanks to innovative heat distribution.
- ✓ softClose: gentle closing of the oven door.
- ✓ Far less oven cleaning – ecoClean Plus.
- ✓ Automatic programs ensure best results - cookControl10.

Gross weight: 37.5 kg
 Installation type: Built-in
 Integrated Cleaning system: ecoClean Plus program
 Min. required niche size for installation (HxWxD): 575-597 x 560-568 x 550 mm
 Dimensions: 595 x 594 x 548 mm
 Dimensions of the packed product (HxWxD): ... 665 x 645 x 670 mm
 Control Panel Material: Glass
 Door Material: Glass
 Net weight: 35.4 kg
 Usable volume of cavity: 66 l
 Cooking method: Hotair gentle, Hot Air, Conventional heat, Pizza setting, Bottom heat, Hot air grilling, Full width variable grill
 Number of interior lights: 1
 Length electrical supply cord: 146.0 cm
 Interior Lights - cavity 1: 1
 Pull-out system: 2-level
 Included accessories: 1 x enamel baking tray, 1 x combination grid, 1 x universal pan, 2 x Universal pan, slim size
 Broil Element Wattages cavity 1: 2800 W
 Energy efficiency rating: A
 Energy consumption per cycle conventional (2010/30/EC): 0.98 kWh/cycle
 Energy consumption per cycle forced air convection (2010/30/EC): 0.79 kWh/cycle
 Energy efficiency index (2010/30/EC): 95.2 %
 Connection rating: 3300 W
 Fuse protection: 16 A
 Voltage: 220-240 V
 Frequency: 60; 50 Hz
 Plug type: no plug, fixed connection
 Type of heating: Electric hob
 Required cutout/niche size for installation (in): x
 Dimensions of the packed product: 26.18 x 25.39 x 26.37
 Net weight: 78.000 lbs
 Gross weight: 83.000 lbs
 Length electrical supply cord: 146.0 cm
 Net weight: 35.4 kg

1 x enamel baking tray, 1 x combination grid, 1 x universal pan, 2 x Universal pan, slim size

HZ317000	Pizza pan, enamelled
HZ327000	Baking stone
HZ333001	Lid for professional pan
HZ425000	Grill tray
HZ431002	Baking tray, enamelled
HZ438201	2 level telescopic shelf rails
HZ438301	3 level telescopic shelf rails
HZ6290702	Air Fry & Grill tray, anthracite
HZ915003	Glass roasting dish, 5,4 L



iQ500, Built-in oven with added steam function, 60 x 60 cm, Black HI257JYB0M

- Oven

Type of oven / heating system:

- Oven with 8 heating methods: Hot air, Top/bottom heat, hot air grilling, Pizza setting, Bottom heat, Hotair gentle, Full width variable grill, hot air + steam
- Temperature range 50 °C - 270 °C
- Cavity volume: 66 l

Hook-in racks / rails

- Number of shelf levels: 5 PC

Design:

- Rotary Control, retractable controls

Cleaning:

- Cavity inner surface: enamel anthracite
- ecohyse program
- Full glass inner door

Comfort:

- Electronic clock
- Bar handle
- Rapid heating-up
- Halogen interior lighting
- Integral cooling fan

Accessory:

- 2 x Universal pan, slim size, 1 x combination grid, 1 x enamel baking tray, 1 x universal pan

Environment and Safety:

- Child safety button

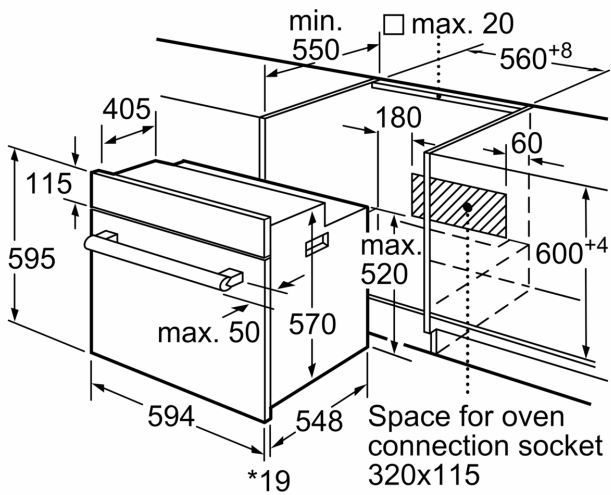
Technical Info:

- Length of mains cable: 146 cm
- Nominal voltage: 220 - 240 V
- Total connected load electric: 3.3 KW
- Energy efficiency rating (acc. EU Nr. 65/2014): A
- Energy consumption per cycle in conventional mode: 0.98 kWh
- Energy consumption per cycle in fan-forced convection mode: 0.79 kWh
- Number of cavities: 1 Heat source: electrical Cavity volume: 66 l

Dimensions:

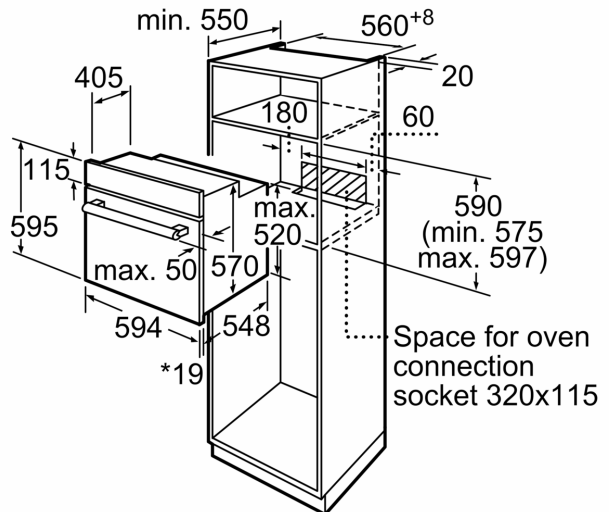
- Appliance dimension (hxwxh): 595 mm x 594 mm x 548 mm
- Niche dimension (hxwxh): 575 mm - 597 mm x 560 mm - 568 mm x 550 mm
- "Please reference the built-in dimensions provided in the installation drawing"

iQ500, Built-in oven with added steam function, 60 x 60 cm, Black HI257JYB0M



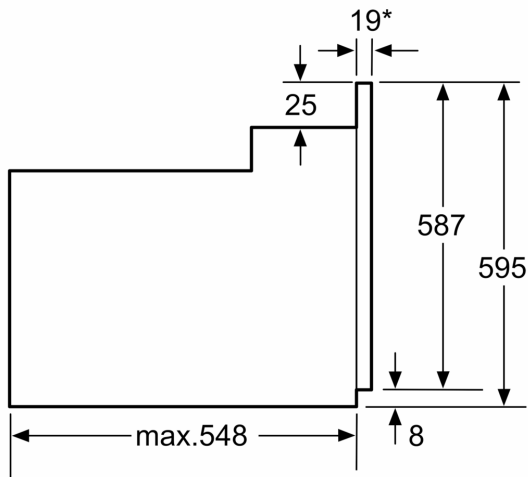
* 20 mm for metal fascias

measurements in mm



* 20 mm for metal fascias

measurements in mm



* 20 mm for metal fascias

Dimensions in mm