

**Series 6, Gas range cooker, Stainless steel  
HGW3ASQ50M**



**The gas Range Cooker with gas hob: enjoy the benefits of gas when cooking and baking.**

- **XXL Cavity delivers you 147 litres of maximum space to bake and roast**
- **meals in bigger portions for your family and guests.**
- **Full Glass Door supports quick and easy cleaning by removable inner**
- **glass of the door.**
- **Closed Door Grilling retains heat and odors within the cooker and reduces your cooking time.**
- **Rotisserie delivers the best homemade rotisserie chicken with the perfect brown look.**
- **Cast Iron Pan Support provides extra support for your heavier pots and pans.**

Built-in / Free-standing: ..... Free-standing  
 Dimensions: ..... 884-929 x 899 x 607 mm  
 Length electrical supply cord: ..... 180.0 cm  
 Net weight: ..... 78.8 kg  
 Gross weight: ..... 84.4 kg  
 Cooking method: .....defrost, rotisserie, Gas grill/broiler, Gas top/bottom heat, Gas bottom heating, Circulated gas bottom heat  
 Integrated Cleaning system: .....Catalytic partial  
 Included accessories: 1 x rotary spit, 1 x nozzle set for natural gas, 1 x cross support for espresso, 1 x grid, 1 x universal pan  
 Broil Element Wattages cavity 1: .....3100 W  
 Power of heating element (kW): .....3 kW  
 Power of 3rd heating element (kW): ..... 1.75 kW  
 Connection rating: ..... 47 W  
 Fuse protection: .....16 A  
 Voltage: ..... 220-240 V  
 Frequency: ..... 50; 60 Hz  
 Plug type: ..... GB plug  
 Energy input: .....Gas  
 Gas type: ..... LPG G30 30 mbar  
 Gross weight: ..... 186.000 lbs  
 Length electrical supply cord: ..... 180.0 cm  
 Dimensions: ..... 884-929 x 899 x 607 mm  
 Dimensions of the packed product (HxWxD): ..... 870 x 985 x 705 mm



## Series 6, Gas range cooker, Stainless steel HGW3ASQ50M

**The gas Range Cooker with gas hob: enjoy the benefits of gas when cooking and baking.**

---

### **Cooktop:**

- Gas hob
- 1 rapid, 2 standard, 1 economy, 1 wok burner
- Front left: Rapid burner 3 KW
- Rear left: Standard burner 1.75 KW
- Center: WOK burner 4 KW
- Rear right: Standard burner 1.75 KW
- Front right: Economy burner 1 KW
- One-hand ignition via control knob
- Full flame safety
- Cast iron pan supports
- glass cover lid

### **Type of oven / heating system:**

- Gas oven
- 6 cooking functions: Gas bottom heat, Defrost setting, Gas top/bottom heat, Gas grill, rotisserie
- Rotary spit

### **Design:**

- Extra large net capacity oven (125 l)

### **Cleaning:**

- Full glass inner door
- Catalytic cleaning: Rear wall

### **Comfort:**

- Halogen interior lighting

### **Accessory:**

- 1 x rotary spit, 1 x nozzle set for natural gas, 1 x cross support for espresso, 1 x grid, 1 x universal pan

### **Technical Info:**

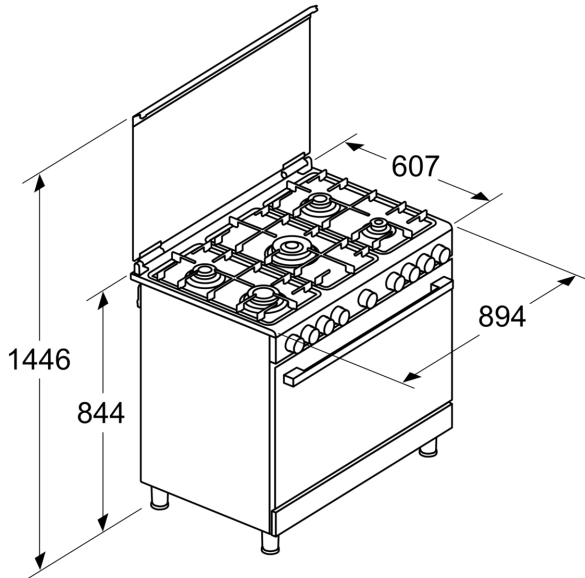
- Natural gas nozzles (20 mbar) included

### **Dimensions:**

- Appliance dimension (hxwx): 884 mm x 899 mm x 607 mm
- Adjustable feet

**Series 6, Gas range cooker, Stainless steel  
HGW3ASQ50M**

measurements in mm



measurements in mm

