

**Series 2, built-in oven, 60 x 60 cm,
Stainless steel
HBF113BR0M**



Included accessories

1 x enamel baking tray
1 x combination grid
1 x universal pan

**The built-in oven with 3D hot air: achieve
perfect baking and roasting results on up to
three levels simultaneously.**

- **LED display control, red:** easy-to-use thanks to the time functions.

Technical Data

Gross weight : 34.2 kg
Color / Material Front : Stainless steel
Built-in / Free-standing : Built-in
Integrated Cleaning system : Hydrolytic
Min. required niche size for installation (HxWxD) : 575-597 x 560-568 x 550 mm
Dimensions : 595 x 594 x 548 mm
Dimensions of the packed product (HxWxD) : 655 x 680 x 660 mm
Control Panel Material : Stainless steel
Door Material : Glass
Net weight : 32.1 kg
Usable volume of cavity : 66 l
Cooking method : Full width variable grill, Hot Air, Hotair gentle, hot air grilling, Top/bottom heat
First cavity material : Other
Number of interior lights : 1
Length electrical supply cord : 146.0 cm
Interior Lights - cavity 1 : 1
Clock function : Alarm, Off, On
Included accessories : 1 x enamel baking tray, 1 x combination grid, 1 x universal pan
Broil Element Wattages cavity 1 : 2800 W
Energy efficiency rating : A
Energy consumption per cycle conventional (2010/30/EC) : 0.98 kWh/cycle
Energy consumption per cycle forced air convection (2010/30/EC) : 0.79 kWh/cycle
Energy efficiency index (2010/30/EC) : 95.2 %
Connection Rating : 3300 W
Fuse protection : 16 A
Voltage : 220-240 V
Frequency : 60; 50 Hz
Plug type : fixed connection, no plug
Color / Material Front : Stainless steel
Energy input : Electric
Required cutout/niche size for installation (in) : x x
Dimensions of the packed product : 25.78 x 25.98 x 26.77
Net weight : 71.000 lbs
Gross weight : 75.000 lbs
Length electrical supply cord : 146.0 cm
Net weight : 32.1 kg
Included accessories : 1 x enamel baking tray, 1 x combination grid, 1 x universal pan



4 242005 047086

Series 2, built-in oven, 60 x 60 cm, Stainless steel HBF113BR0M

The built-in oven with 3D hot air: achieve perfect baking and roasting results on up to three levels simultaneously.

Type of oven / heating system:

- Oven with 5 heating methods: Hot air, Top/bottom heat, hot air grilling, Hotair gentle, Full width variable grill
- Temperature range 50 °C - 275 °C
- Cavity volume: 66 l

Design:

- Rotary Control

Cleaning:

- Full glass inner door

Comfort:

- Electronic clock
- Drop down door
- Rapid heating-up
- Halogen interior lighting
- Integral cooling fan
- Bar handle

Accessory:

- 1 x universal pan, 1 x combination grid, 1 x enamel baking tray

Environment and Safety:

- Energy efficiency rating (acc. EU Nr. 65/2014): A
Energy consumption per cycle in conventional mode: 0.98 kWh
Energy consumption per cycle in fan-forced convection mode: 0.79 kWh
Number of cavities: 1 Heat source: electrical Cavity volume: 66 l
- Child lock

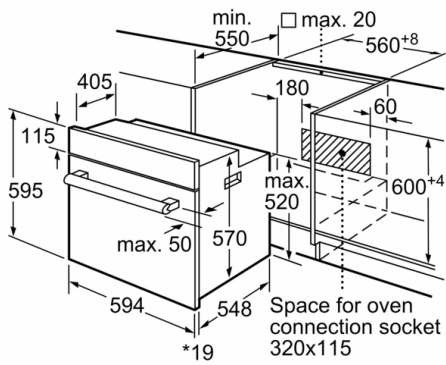
Technical Info:

- Length of mains cable: 146 cm
- Nominal voltage: 220 - 240 V
- Total connected load electric: 3.3 KW

Dimensions:

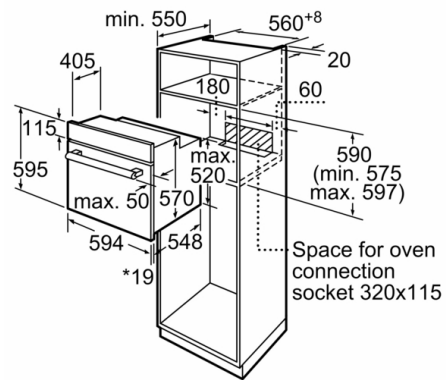
- Appliance dimension (hxwx): 595 mm x 594 mm x 548 mm
- Niche dimension (hxwx): 575 mm - 597 mm x 560 mm - 568 mm x 550 mm
- "Please reference the built-in dimensions provided in the installation drawing"

Series 2, built-in oven, 60 x 60 cm, Stainless steel
HBF113BR0M



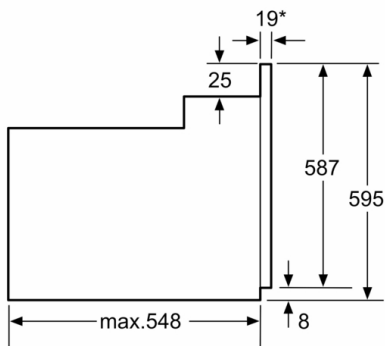
* 20 mm for metal fascias

measurements in mm



* 20 mm for metal fascias

measurements in mm



* 20 mm for metal fascias

Dimensions in mm