

**iQ700, built-in oven, 60 x 60 cm,  
Stainless steel  
HB678GBS6M**



Shorten your cooking time thanks to fast preheat, coolStart and activeClean®. And remote your oven from anywhere with Home Connect.

- ✓ Reach the required baking temperature sooner - fastPreheat. No need to preheat the oven for deep frozen food - coolStart.
- ✓ activeClean: the automatic system for effortless cleaning.
- ✓ Access and control your oven, no matter where you are - Home Connect App (Android and iOS).
- ✓ cookControl Plus: guaranteed success for numerous dishes.
- ✓ roastingSensor Plus: simply reliable roasting thanks to temperature measurement at three points simultaneously.

2 x combination grid, 1 x universal pan

HZ327000 Baking stone, HZ531010 Baking tray, non-stick ceramic coated, HZ532010 Universal pan, non-stick ceramic coated, HZ617000 Pizza pan, enamelled, HZ625071 Grill tray, enamelled, HZ631070 Baking tray, enamelled, HZ632070 Multipurpose pan, enamelled, HZ633001 Lid for professional pan, enamelled, HZ633070 Professional pan, enamelled, HZ634000 Baking and roasting grid (standard), HZ636000 Glass pan, HZ638170 1 level telescopic rail, full ext, pyro, HZ638270 2 level telescopic rails, full ext, pyro, HZ638370 3 level telescopic rails, full ext, pyro, HZ664000 Baking and roasting grid (steam), HZ66X650 Cover Strip, HZ915003 Glass roasting dish, 5,4 L

Gross weight: ..... 43.1 kg  
 Installation type: ..... Built-in  
 Integrated Cleaning system: ..... Pyrolytic+Hydrolytic  
 Min. required niche size for installation (HxWxD): ..... 585-595 x 560-568 x 550 mm  
 Dimensions: ..... 595 x 594 x 548 mm  
 Dimensions of the packed product (HxWxD): ... 670 x 670 x 680 mm  
 Control Panel Material: ..... Stainless steel  
 Door Material: ..... Glass  
 Net weight: ..... 40.7 kg  
 Usable volume of cavity: ..... 71 l  
 Cooking method: ..... 4D hot air, Dehydrate, Full width grill, Hot Air-Eco, Intensive heat, Half width grill, Conventional heat, Conventional heat ECO, Pizza setting, low temperature cooking, Deep-frozen food special, Bottom heat, Hot air grilling, pre-heating, warming  
 Number of interior lights: ..... 3  
 Length electrical supply cord: ..... 120.0 cm  
 Interior Lights - cavity 1: ..... 3  
 Pull-out system: ..... Accessory  
 Included accessories: ..... 2 x combination grid, 1 x universal pan  
 Broil Element Wattages cavity 1: ..... 2800 W  
 Convection Element Wattages cavity 1: ..... 2200 W  
 Energy efficiency rating: ..... A+: efficient  
 Energy consumption per cycle conventional (2010/30/EC): ..... 0.87 kWh/cycle  
 Energy consumption per cycle forced air convection (2010/30/EC): 0.69 kWh/cycle  
 Energy efficiency index (2010/30/EC): ..... 81.2 %  
 Connection rating: ..... 3600 W  
 Fuse protection: ..... 16 A  
 Voltage: ..... 220-240 V  
 Frequency: ..... 50; 60 Hz  
 Plug type: ..... no plug  
 Type of heating: ..... Electric hob  
 Required cutout/niche size for installation (in): ..... x  
 Dimensions of the packed product: ..... 26.37 x 26.37 x 26.77  
 Net weight: ..... 90.000 lbs  
 Gross weight: ..... 95.000 lbs  
 Length electrical supply cord: ..... 120.0 cm  
 Net weight: ..... 40.7 kg



## iQ700, built-in oven, 60 x 60 cm, Stainless steel HB678GBS6M

### Type of oven / heating system:

- Temperature range 30 °C - 300 °C
- Cavity volume: 71 l

### Design:

- Cavity inner surface: enamel anthracite

### Cleaning:

- Pyrolytic self-cleaning

### Comfort:

- IC6\_CSE\_63
- Electronic clock
- Drop down door, soft closing, soft opening
- baking sensor
- multipoint temperature probe
- Rapid heating-up
- coolStart
- LED light, LED-Elongated light, Independent oven interior light button
- Integral cooling fan
- WLAN

### Accessory:

- 2 x combination grid, 1 x universal pan

### Environment and Safety:

- 30 °C
- door lock electronical
- Child safety button Automatic switch off Residual heat indicator start button door contact switch

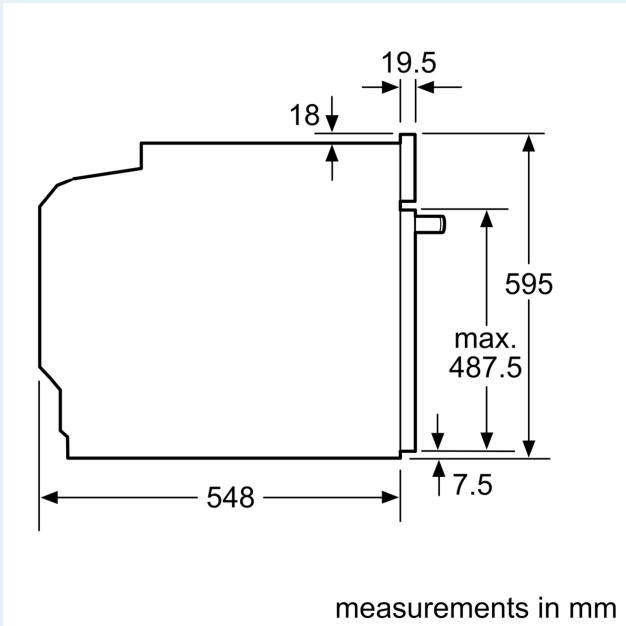
### Technical Info:

- Length of mains cable: 120 cm
- Nominal voltage: 220 - 240 V
- Total connected load electric: 3.6 KW
- Energy efficiency rating (acc. EU Nr. 65/2014): A+
- Energy consumption per cycle in conventional mode:0.87 kWh
- Energy consumption per cycle in fan-forced convection mode:0.69 kWh
- Number of cavities: 1 Heat source: electrical Cavity volume:71 l

### Dimensions:

- Appliance dimension (hxwxh): 595 mm x 594 mm x 548 mm
- Niche dimension (hxwxh): 585 mm - 595 mm x 560 mm - 568 mm x 550 mm
- "Please reference the built-in dimensions provided in the installation drawing"

**iQ700, built-in oven, 60 x 60 cm,  
Stainless steel  
HB678GBS6M**



If the appliance will be installed underneath a hob, the following worktop thicknesses (including substructure if necessary) must be taken into account.

Hob type	min. worktop thickness	
	fitted	flush
Induction hob	37 mm	38 mm
Full surface Induction hob	47 mm	48 mm
Gas hob	30 mm	38 mm
Electric hob	27 mm	30 mm

