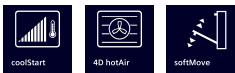


## iQ700, built-in oven, 60 x 60 cm, Stainless steel HB632GBS1M



2 x combination grid, 1 x universal pan

HZ327000 Baking stone, HZ531010 Baking tray, non-stick ceramic coated, HZ532010 Universal pan, non-stick ceramic coated, HZ617000 Pizza pan, enamelled, HZ625071 Grill tray, enamelled, HZ631070 Baking tray, enamelled, HZ632070 Multipurpose pan, enamelled, HZ633001 Lid for professional pan, enamelled, HZ633070 Professional pan with grid, enamelled, HZ634000 Baking and roasting grid (standard), HZ636000 Glass pan, HZ638100 1 level telescopic shelf rails, full ext, HZ638200 2 level telescopic shelf rails, full ext, HZ638300 3 level telescopic rails, full ext, HZ664000 Baking and roasting grid (steam), HZ66X650 Cover Strip, HZ915003 Glass roasting dish, 5,4 L

“The oven offers modern baking and roasting convenience for best results.”

- ✓ Reach the required baking temperature sooner - fastPreheat. No need to preheat the oven for deep frozen food - coolStart.
- ✓ Cut down on oven cleaning – ecoClean.
- ✓ TFT Display: good readability from any perspective.
- ✓ 4D hotAir: flexible choice of shelf.
- ✓ softMove: gentle opening and closing of the oven door.

Gross weight:	37.7 kg
Installation type:	Built-in
Integrated Cleaning system:	ecoClean Plus program
Min. required niche size for installation (HxWxD):	585-595 x 560-568 x 550 mm
Dimensions:	595x594x548 mm
Dimensions of the packed product (HxWxD):	670 x 670 x 680 mm
Control Panel Material:	Stainless steel
Door Material:	Glass
Net weight:	35.3 kg
Usable volume of cavity:	71 l
Cooking method:	4D hot air, Full width grill, Hot Air-Eco, Conventional heat, Conventional heat ECO, Pizza setting, Deep-frozen food special, Hot air grilling
Number of interior lights:	1
Length electrical supply cord:	120.0 cm
Interior Lights - cavity 1:	1
Pull-out system:	Accessory
Included accessories:	2 x combination grid, 1 x universal pan
Broil Element Wattages cavity 1:	2800 W
Convection Element Wattages cavity 1:	2200 W
Energy efficiency rating:	A+: efficient
Energy consumption per cycle conventional (2010/30/EC):	0.87 kWh/cycle
Energy consumption per cycle forced air convection (2010/30/EC):	0.69 kWh/cycle
Energy efficiency index (2010/30/EC):	81.2 %
Connection rating:	3600 W
Fuse protection:	16 A
Voltage:	220-240 V
Frequency:	50; 60 Hz
Plug type:	no plug
Type of heating:	Electric hob
Required cutout/niche size for installation (in):	x
Dimensions of the packed product:	26.37 x 26.37 x 26.77
Net weight:	78.000 lbs
Gross weight:	83.000 lbs
Length electrical supply cord:	120.0 cm
Net weight:	35.3 kg



## iQ700, built-in oven, 60 x 60 cm, Stainless steel HB632GBS1M

### Type of oven / heating system:

- Oven with 8 heating methods:
- 4D hot air, Hot Air-Eco, Top/bottom heat, Conventional heat ECO, hot air grilling, Full width grill, Pizza setting, Deep-frozen food special
- Cavity volume: 71 l

### Design:

- Rotary Control
- Cavity inner surface: enamel anthracite

### Cleaning:

- Ecolyse features: back panel
- Full glass inner door

### Comfort:

- autom. temperature proposal
- actual temperature display heating-up control Sabbath function
- soft opening
- Electronic clock
- Rapid heating-up
- Halogen interior lighting, Independent oven interior light button
- Integral cooling fan
- Stainless-steel fan
- Info button
- Bar handle

### Hook-in racks / rails

- Cavity with shelf support rails, Telescopic slide-out Accessory

### Accessory:

- 2 x combination grid, 1 x universal pan

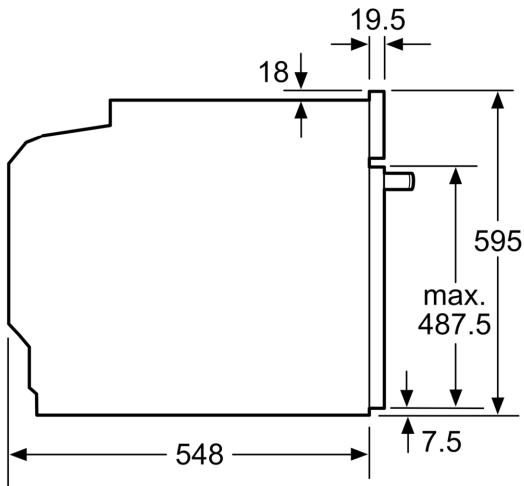
### Environment and Safety:

- Maximum window temperature 40° C
- Child safety button
- Automatic switch off Residual heat indicator start button door contact switch

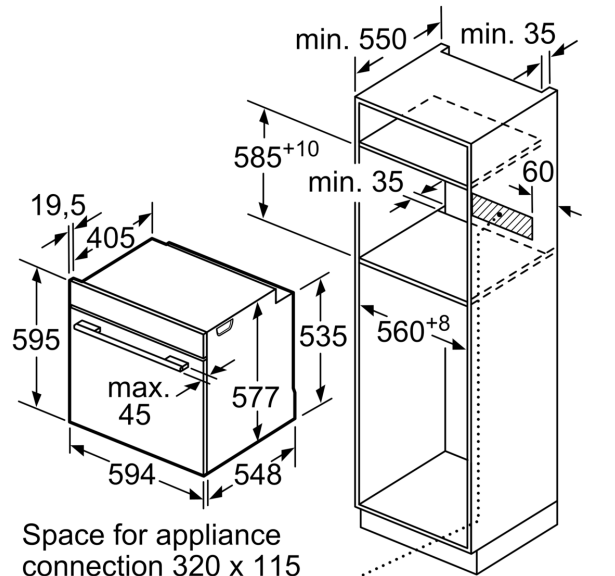
### Technical Info:

- Length of mains cable: 120 cm
- Total connected load electric: 3.6 KW
- Appliance dimension (hxwx): 595 mm x 594 mm x 548 mm
- Niche dimension (hxwx): 585 mm - 595 mm x 560 mm - 568 mm x 550 mm
- "Please reference the built-in dimensions provided in the installation drawing"
- Energy efficiency rating (acc. EU Nr. 65/2014):
- Energy consumption per cycle in conventional mode: 0.87 kWh
- Energy consumption per cycle in fan-forced convection mode: 0.69 kWh
- Number of cavities: 1 Heat source: electrical Cavity volume: 71 l

iQ700, built-in oven, 60 x 60 cm,  
Stainless steel  
HB632GBS1M



measurements in mm

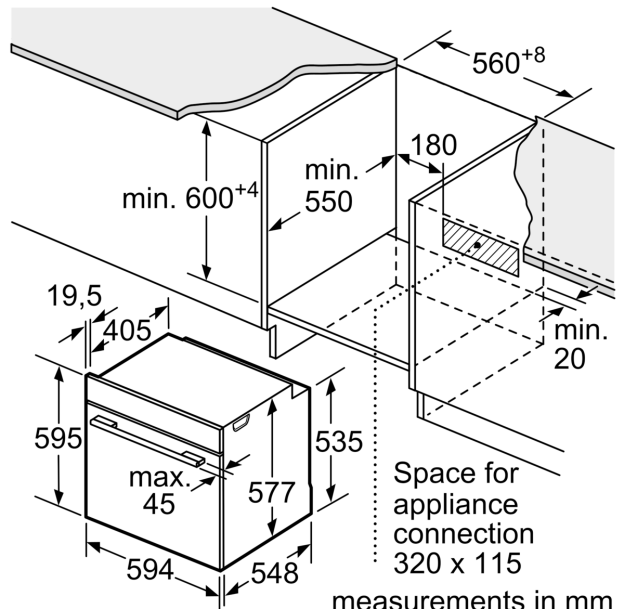


Space for appliance connection 320 x 115

measurements in mm

If the appliance will be installed underneath a hob, the following worktop thicknesses (including substructure if necessary) must be taken into account.

Hob type	min. worktop thickness	
	fitted	flush
Induction hob	37 mm	38 mm
Full surface Induction hob	47 mm	48 mm
Gas hob	30 mm	38 mm
Electric hob	27 mm	30 mm



Space for appliance connection 320 x 115  
measurements in mm